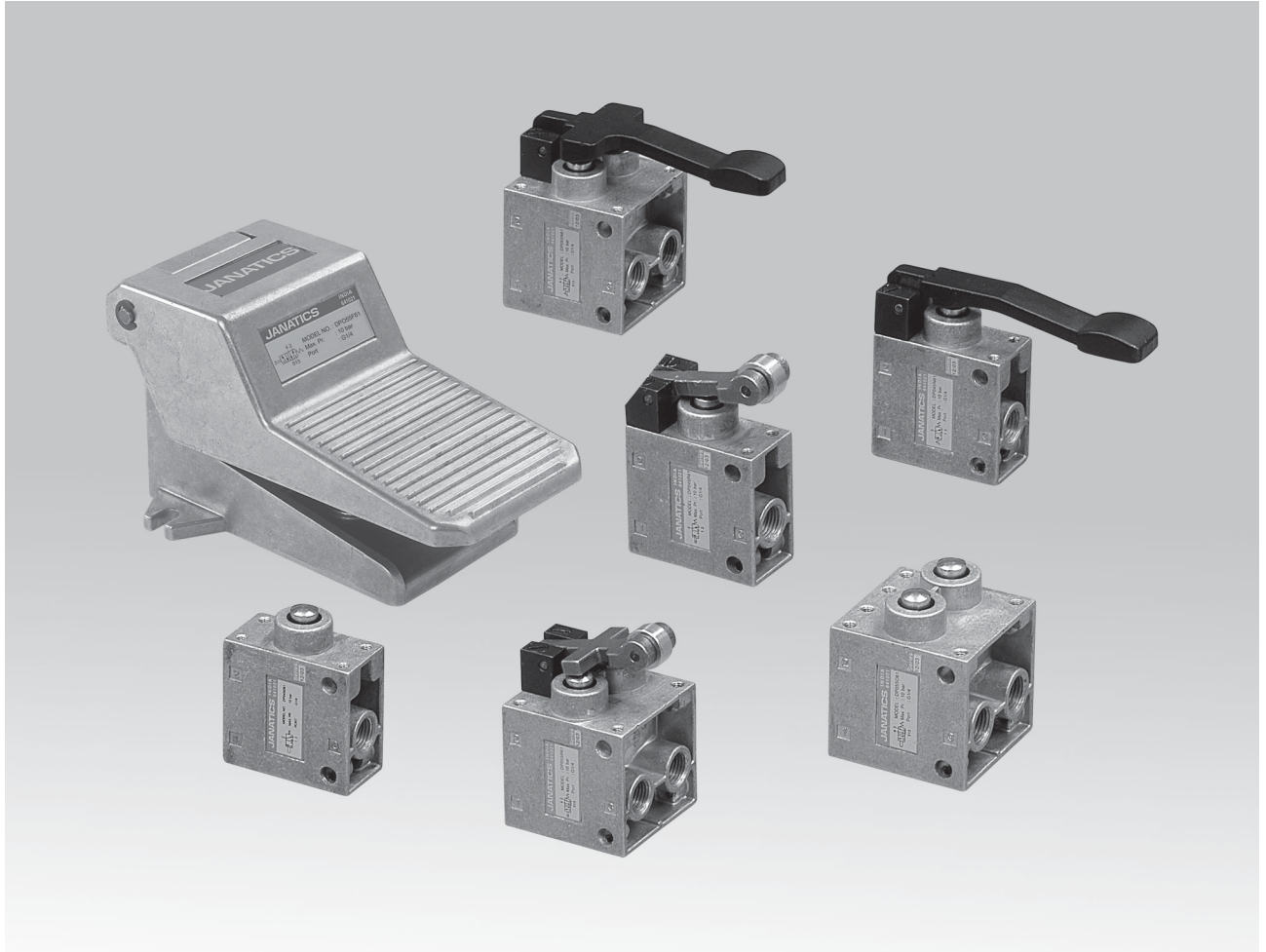


# Manual & Mechanical Valve

Series : DP

Sizes : G1/4



- ❑ 3/2 NO & NC, 5/2 versions
- ❑ Suitable for 10 bar air pressure
- ❑ Basic, Roller lever, Finger lever and Foot operated versions available

# MANUAL & MECHANICAL VALVE

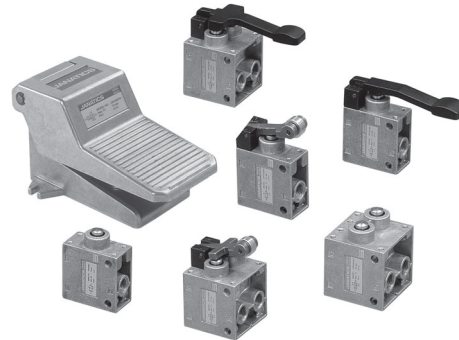
Series DP

Cat No DP - 01 - 02

## MANUAL & MECHANICAL VALVES - G1/4

### Features

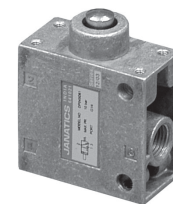
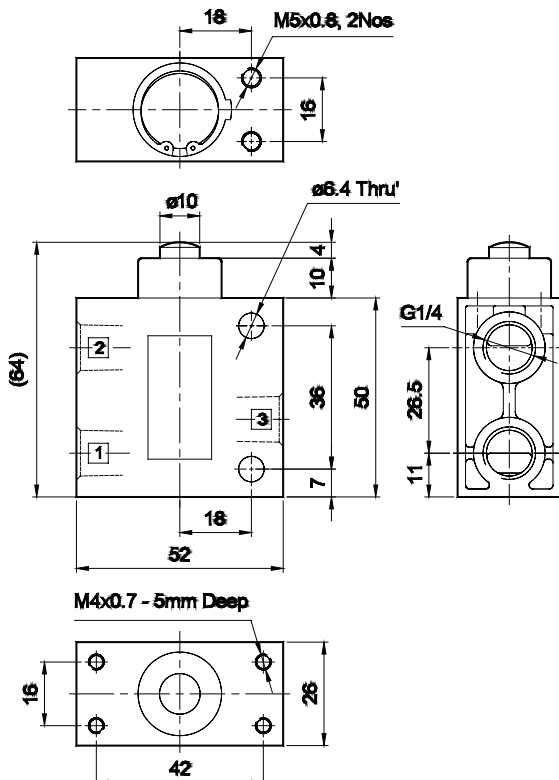
- ❑ 3/2 NO & NC, 5/2 versions
- ❑ Basic, Roller lever and Finger lever versions available
- ❑ Poppet seating arrangement
- ❑ No exhaust overlap



### Technical Specifications

Model	3/2	5/2
Port size	G1/4	
Ambient / Medium Temperature	5° - 60° C	
Max. Working pressure	10 bar	
Medium	Compressed air, Filtered, Lubricated	
Flow	(1 → 2) - 600 lpm	(1 → 2) (1 → 4) - 550 lpm
Materials of construction	Housing : Aluminium, Seals : Nitrile	

### 3 / 2 Stem actuated valve



1 - Inlet, 2 - Outlet, 3 - Exhaust

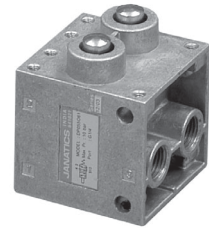
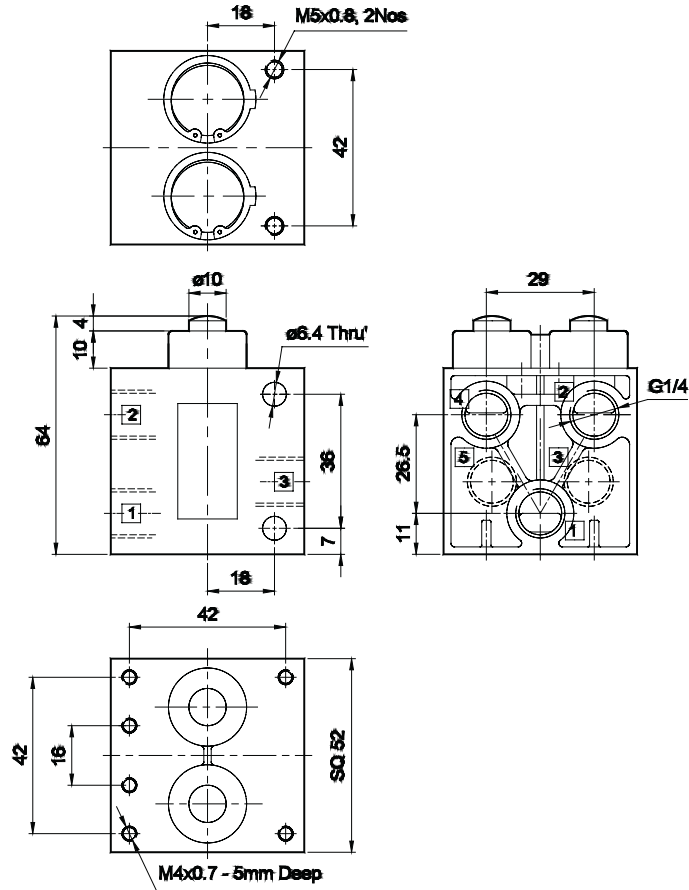
Ordering No	DP035061	DP045061
Symbol		

# MANUAL & MECHANICAL VALVE

Series DP

Cat No DP - 01 - 02

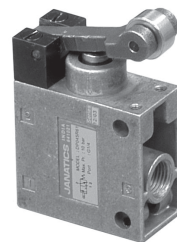
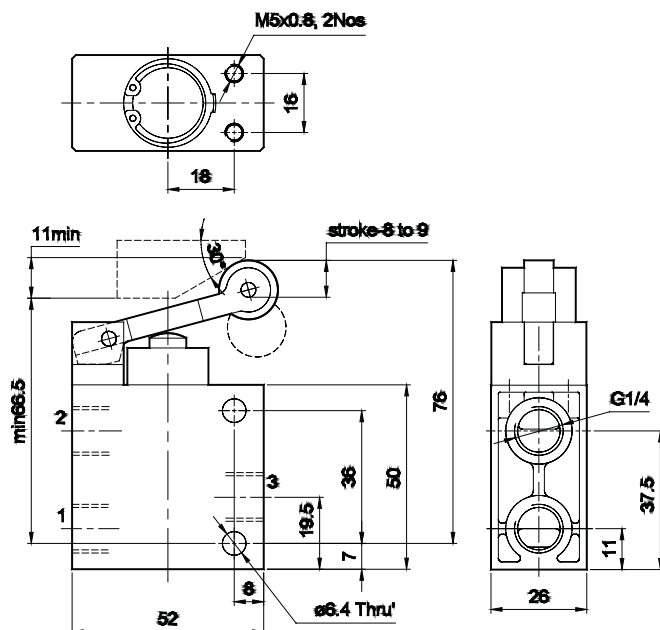
## 5 / 2 position Stem actuated valve



1 - Inlet, 2,4 - Outlet, 3,5 - Exhaust

Ordering No	DP055061
Symbol	

## 3 / 2 Poppet valve with Roller lever



1 - Inlet, 2 - Outlet, 3 - Exhaust

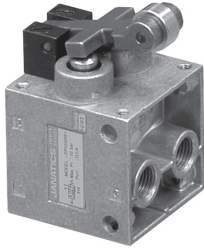
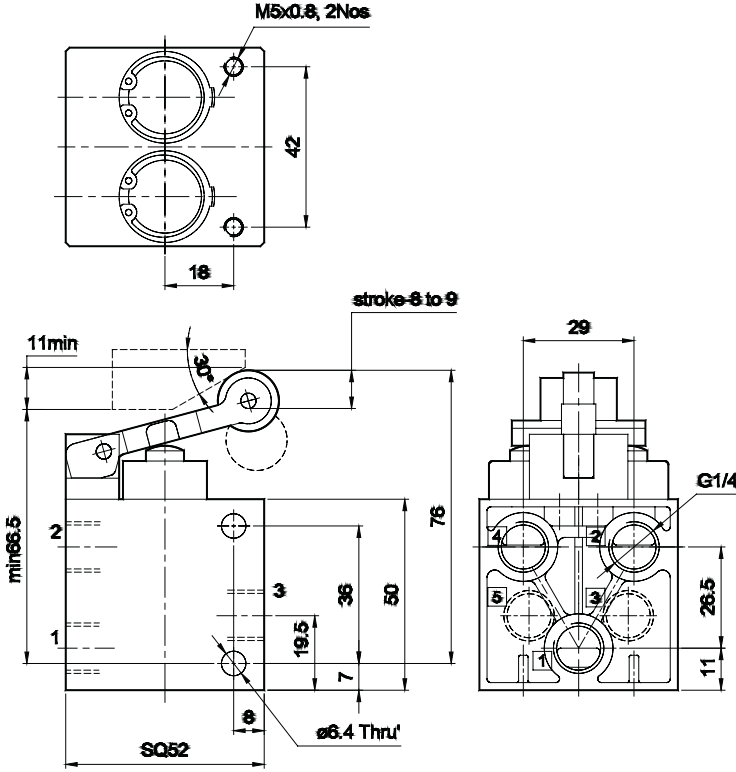
Ordering No	DP035R61	DP045R61
Symbol		

**MANUAL & MECHANICAL VALVE**

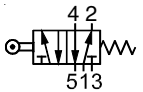
Series DP

Cat No DP - 01 - 02

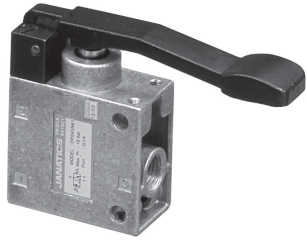
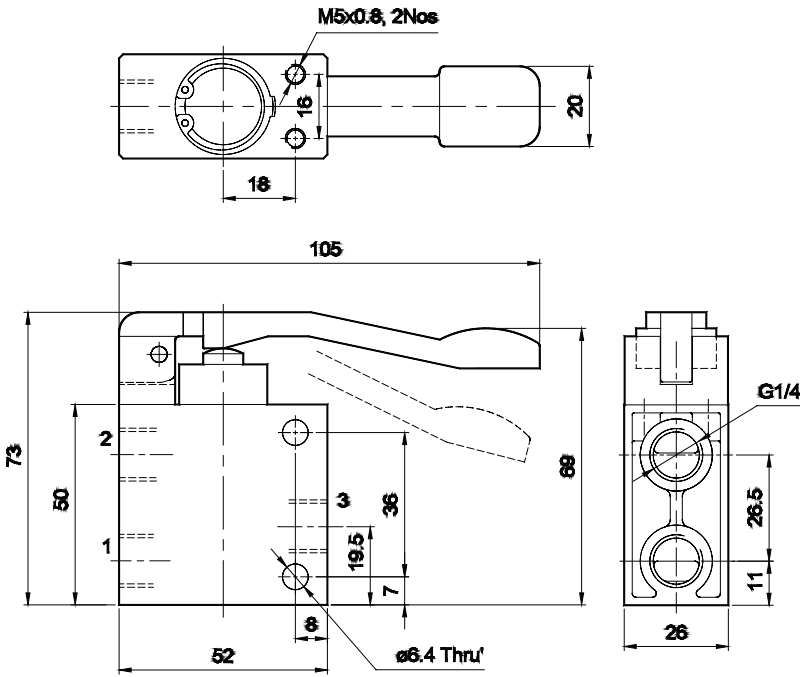
**5 / 2 Poppet valve with Roller lever**



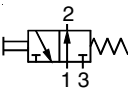
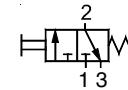
1 - Inlet, 2,4 - Outlet, 3,5 - Exhaust

Ordering No	DP055R61
Symbol	

**3 / 2 Poppet valve with Finger lever**



1 - Inlet, 2 - Outlet, 3 - Exhaust

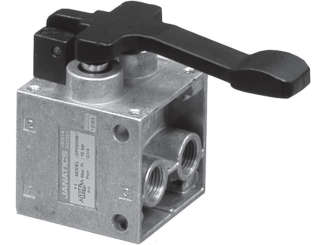
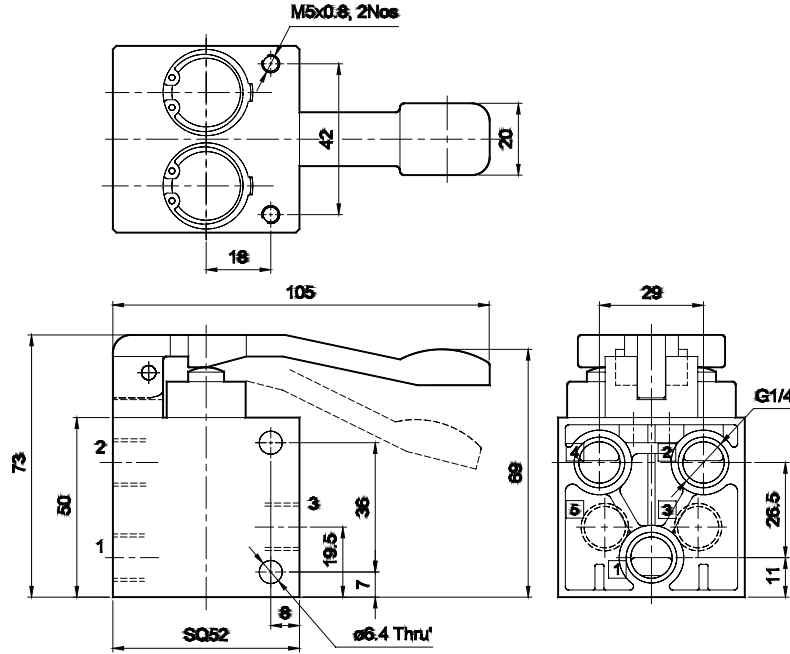
Ordering No	DP035N61	DP045N61
Symbol		

# MANUAL & MECHANICAL VALVE

Series DP

Cat No DP - 01 - 02

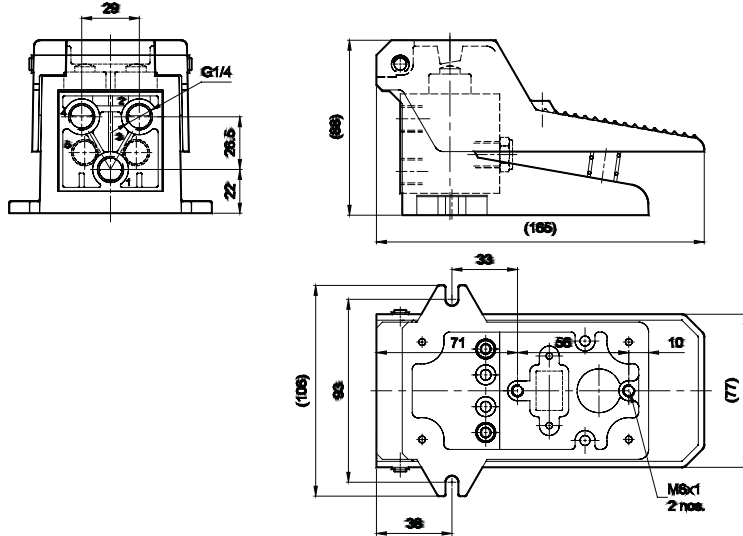
## 5 / 2 Poppet valve with Finger lever



1 - Inlet, 2,4 - Outlet, 3,5 - Exhaust

Ordering No	DP055N61
Symbol	

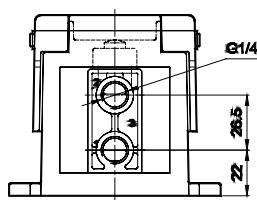
## 5 / 2 Foot operated valve



1 - Inlet, 2,4 - Outlet, 3,5 - Exhaust

Ordering No	DP055F61
Symbol	

## 3 / 2 Foot operated valve



1 - Inlet, 2 - Outlet, 3 - Exhaust

Ordering No	DP035F61	DP045F61
Symbol		

Subject to change