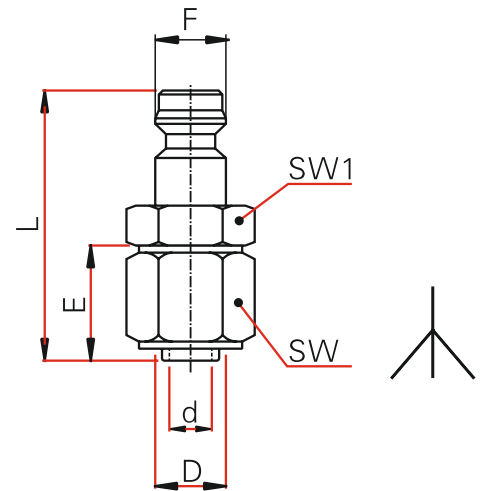


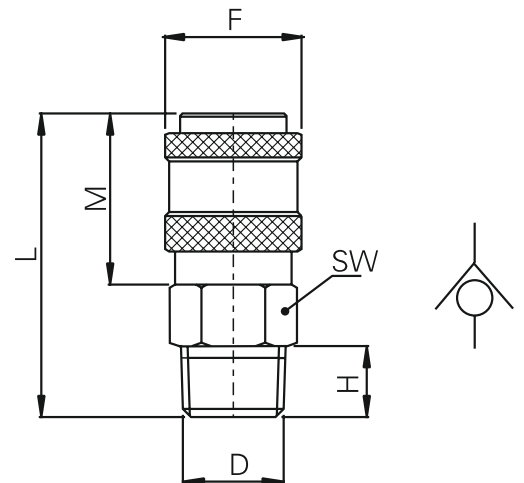


QKD-PP...

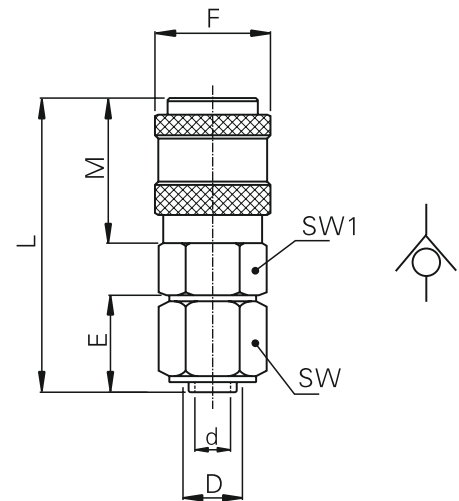


	D	d	E	L	F	SW1	SW	(g)
QKD-PP4	4	1.7	9	28	Φ8.9	12	8	10.8
QKD-PP6	6	3	10.5	29.5	Φ8.9	12	10	13.5
QKD-PP8	8	4.1	13.5	32.5	Φ8.9	12	13	19.7
QKD-PP10	10	5	14.2	34	Φ8.9	14	15	23.9

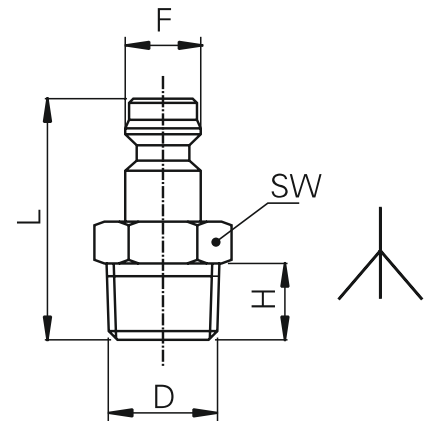
QKD-SM



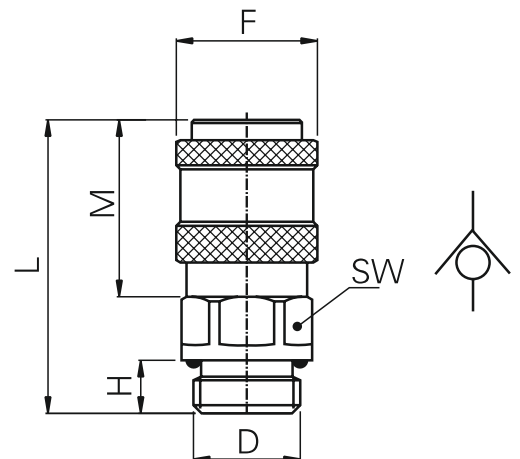
	D	H	M	L	F	SW	(g)
QKD-SM1/8	R1/8	8	21	35	Φ17.5	14	31.5
QKD-SM1/4	R1/4	9	21	37	Φ17.5	14	64.2
QKD-SM3/8	R3/8	9.5	21	37.5	Φ17.5	17	65
QKD-SM1/2	R1/2	11.5	21	39.5	Φ17.5	21	68.7



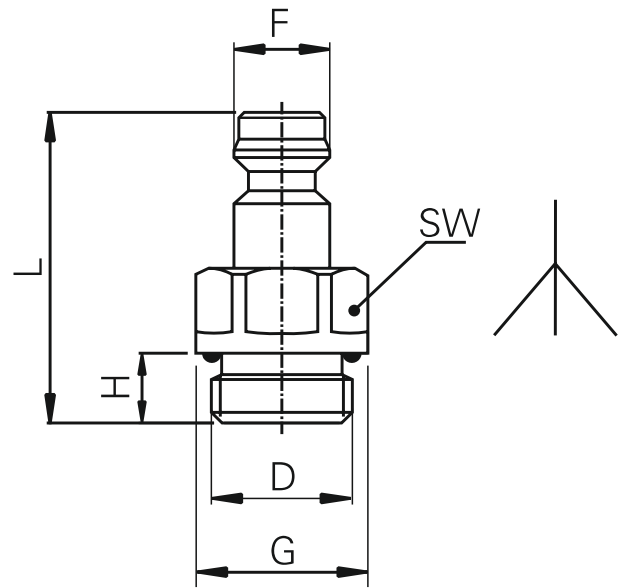
	D	d	E	M	L	F	SW1	SW	(g)
QKD-SP4	4	1.7	9	21	39	Φ17.5	14	8	31.4
QKD-PP6	6	3	10.5	21	38	Φ17.5	14	10	33.7
QKD-PP8	8	4.1	13.5	21	42	Φ17.5	14	13	39.4
QKD-PP10	10	5	14.2	21	42	Φ17.5	14	15	42.6



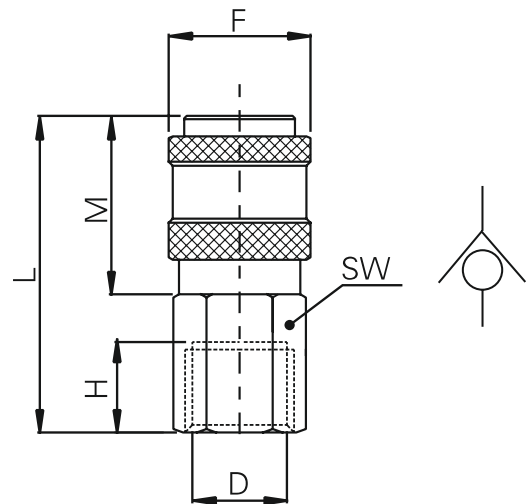
	D	H	L	F	SW	(g)
QKD-PM1/8	R1/8	8	27	Φ8.9	14	10.6
QKD-PM1/4	R1/4	9	28	Φ8.9	14	14.1
QKD-PM3/8	R3/8	9.5	28.5	Φ8.9	17	16.9
QKD-PM1/2	R1/2	11.5	30	Φ8.9	21	24.4



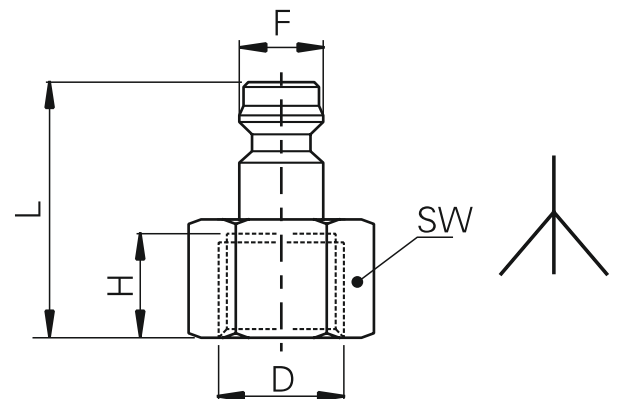
	D	H	M	L	F	SW
QKD-SM1/8G	G1/8	5	21	32	Φ17.5	14
QKD-SM1/4G	G1/4	6.5	21	33.5	Φ17.5	14
QKD-SM3/8G	G3/8	7.5	21	34.5	Φ17.5	17
QKD-SM1/2G	G1/2	9	21	37	Φ17.5	21



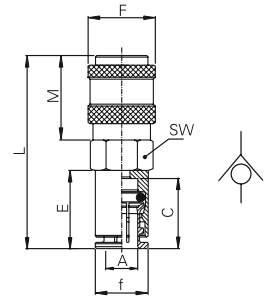
	D	H	G	L	F	SW
QKD-PM1/8G	G1/8	5	13.5	25	Φ8.9	12
QKD-PM1/4G	G1/4	6.5	16	27	Φ8.9	14
QKD-PM3/8G	G3/8	7.5	21.5	28	Φ8.9	19
QKD-PM1/2G	G1/2	9	28	30	Φ8.9	24



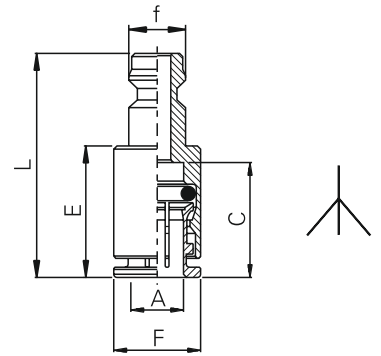
	D	H	M	F	L	SW	(g)
QKD-SF1/8	G1/8	8	21	Φ17.5	37.5	14	32.6
QKD-SF1/4	G1/4	11	21	Φ17.5	39.5	17	72.7
QKD-SF3/8	G3/8	11.5	21	Φ17.5	40	19	71.9
QKD-SF1/2	G1/2	12.5	21	Φ17.5	41.5	24	48.1



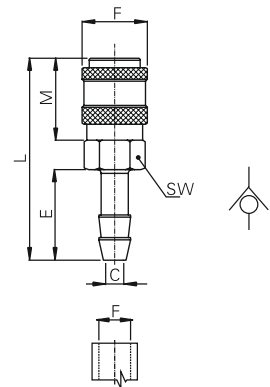
	D	H	L	F	SW	(g)
QKD-PF1/8G	G1/8	8	25	Φ8.9	13	10.6
QKD-PF1/4G	G1/4	11	26	Φ8.9	17	14.1
QKD-PF3/8G	G3/8	11.5	27	Φ8.9	19	16.9
QKD-PF1/2G	G1/2	12.5	28	Φ8.9	24	24.4



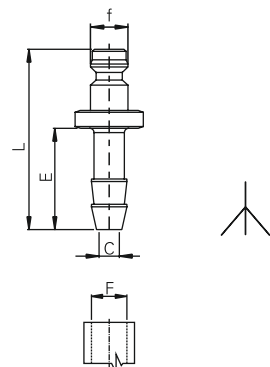
	A	C	E	M	L	F	f	SW	(g)
QKD-SK6	6	17	14.3	21	45.5	Φ17.5	Φ11.8	14	32.6
QKD-SK8	8	17.5	16.5	21	47	Φ17.5	Φ13.6	14	72.7
QKD-SK10	10	19.7	18	21	19.5	Φ17.5	Φ15.7	16	71.9
QKD-SK12	12	18.7	19.5	21	48.5	Φ17.5	Φ17.8	18	48.1



	A	C	E	L	F	f	(g)
QKD-PK6	6	17	16.8	10.8	Φ11.8	Φ8.9	16.7
QKD-PK8	8	17.5	18	32	Φ13.6	Φ8.9	19.7
QKD-PK10	10	19.7	20.5	34.5	Φ15.7	Φ8.9	19.8
QKD-PK12	12	18.7	19.5	33.5	Φ17.8	Φ8.9	-



	F	C	E	L	M	F	SW	(g)
QKD-SH6	Φ6	Φ3	20	49	21	Φ17.5	14	31
QKD-SH8	Φ8	Φ5	20	49	21	Φ17.5	14	33
QKD-SH10	Φ10	Φ6.5	20	49	21	Φ17.5	14	33.8
QKD-SH12	Φ12	Φ8	20	49	21	Φ17.5	14	36.8



	F	C	E	L	f	(g)
QKD-PH6	Φ6	Φ3	20	39	Φ8.9	12.5
QKD-PH8	Φ8	Φ5	20	39	Φ8.9	14.1
QKD-PH10	Φ10	Φ6.5	20	39	Φ8.9	15.2
QKD-PH12	Φ12	Φ8	20	39	Φ8.9	17.7