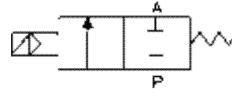


2L Series Solenoid Valve



2L170-15

2L300-40

2L500-50

2L - 170 - 15 - AC110 - VD

Specification Code

2L: Steam type two position two way solenoid valve

Aperture of Flow Rate

170:17mm 200:20mm

300:30mm 500:50mm

Joint Pipe Bore

10: 3/8" 15:1/2"

20:3/4" 25:1"

35:1¹/₄" 40:1¹/₂"

50:2"

Standard Voltage

DC12V

DC24V

AC24V 50/60Hz

AC36V 50/60Hz

AC110V 50/60Hz

AC220V 50/60Hz

AC380V 50/60Hz

Wiring Form

Blank:Lead Wire Type

D : Join Connector

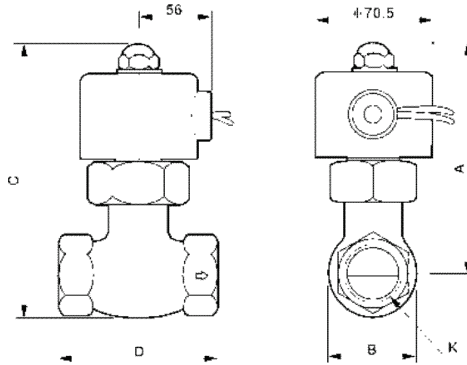
Specification

Model	2L170-15	2L170-20	2L200-25	2L300-35	2L300-40	2L500-50
Working Medium	Air, Water, Steam					
Motion Pattern	Direct Drive Type					
Type	Normal Close Type					
Aperture of Flow Rate (mm)	17		20	30		50
CV Value	4.8		12	20		48
Joint Pipe Bore	1/2"	3/4"	1"	1 ¹ / ₄ "	1 ¹ / ₂ "	2"
Operation Fluid Viscosity	20 CST (below)					
Working-pressure (kgf/cm ²)	1~15					
Max. Pressure Resistance (kgf/cm ²)	22.5					
Operating Temperature Range (°C)	-5~180					
Voltage Range	±10%					
Material of Body	Brass					
Material of Oil Seal	PTFE					

*Please contact factory for special voltage and specification.

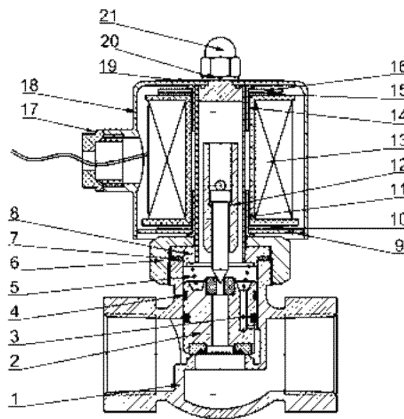
2L Series Solenoid Valve

Overall Dimension



Model	A	B	C	D	K(G)
2L170-10	128	42	145	83	3/8"
2L170-15	128	42	145	83	1/2"
2L170-20	128	48	148	83	3/4"
2L200-25	130	54	156	91	1"
2L300-35	148	76	184	113	1 1/4"
2L300-40	148	76	184	113	1 1/2"
2L500-50	166	90	212	168	2"

Inner Structure



NO.	Name	NO.	Name
1	Body Of Valve	12	Assembly Of Iron Core
2	Assembly Of Piston	13	Assembly Of Coil
3	Springiness Spacer	14	Bush
4	Wear Strip	15	Gasket
5	Spring	16	Magnetic Plate
6	Nut	17	Cord-locks
7	Seal-Ring	18	Iron Cover
8	Assembly of Iron Core	19	Name Plate
9	Magnetic Plate	20	Gasket
10	Gasket	21	Head Cover Nut
11	Bush		