

2S Series Solenoid Valve



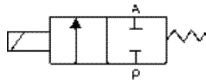
2S050-10



2S160-15



2S200-20D



2S 025 - 08 AC110V - D

Specification Code

2S: Two position two way solenoid valve(direct drive type)

Aperture of Flow Rate

025:2.5mm 040:4.0mm

160:16mm 200:20mm

250:25mm 350:35mm

400:40mm 500:50mm

Joint Pipe Bore

08: 1/4" 10: 3/8"

15:1/2" 20:3/4" 25:1"

35:1 1/4" 40:1 1/2" 50:2"

Standard Voltage

- DC12V
- DC24V
- AC24V 50/60Hz
- AC36V 50/60Hz
- AC110V 50/60Hz
- AC220V 50/60Hz
- AC380V 50/60Hz

Wiring Form

Blank:Lead Wire Type

D : Join Connector

E : Blast-proof Coil

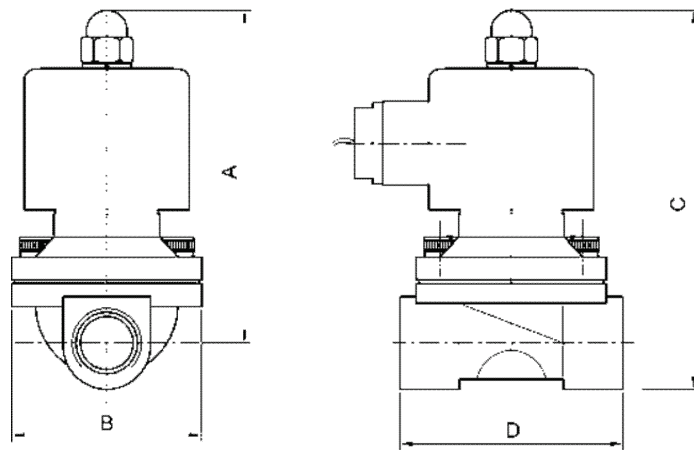
G : Water-proof Coil

2S Series Solenoid Valve

Specification							
Model	2S025-06(08)	2S050-10	2S160-10(15)	2S200-20	2S250-25	2S350-35(40)	2S500-50
Working Medium	Air, Water, Oil, Gas						
Motion Pattern	Direct Drive Type						
Type	Normal Close Type						
Aperture of Flow Rate (mm)	2.5	5	16	20	25	35	50
CV Value	0.23	0.6	4.8	7.6	12	24	48
Joint Pipe Bore	1/8" 1/4"	3/8"	3/8" 1/2"	3/4"	1"	1 1/4" 1 1/2"	2"
Operation Fluid Viscosity	20 CST (below)						
Working-pressure (kgf/cm ²)	0~7		Water: 0~5, /Air: 0~7, /oil: 0~5, /Gas: 0~7				
Max. Pressure Resistance (kgf/cm ²)	10.5						
Operating Temperature Range (°C)	-5~80						
Voltage Range	±10%						
Material of Body	Stainless steel						
Material of Oil Seal	NBR , EPDM VITON						

*Please contact factory for special voltage and sepcification.

Overall Dimension



Model	Bore	A	B	C	D
2S025-06/08	1/8" 1/4"	69	34	78	34
2S050-10	3/8"	80	40	94	40
2S160-10/15	3/8" 1/2"	97	57	110	68
2S200-20	3/4"	99	57	115	73
2S250-25	1"	105	77	124	98
2S350-35	1 1/4"	132	86	156	113
2S400-40	1 1/2"	138	94	166	120
2S500-50D	2"	155	122	188	166
2S250-25F	/	103	115	160	138
2S400-40F	/	136	143	203	155
2S5500-50F	/	150	157	229	184