

3VJZF Series

3/2 Way Stop Solenoid Valve



3AJZF-15



3VJZF-25

Ordering Code

3V	JZF	15	AS	AC110V	W
Specification	Stop Type	Port Size	Operation	Standard Voltage	Wiring
3V: 3/2 way solenoid valve 3A: 3/2 way air pilot valve	V: Solenoid valve A: Air pilot valve	10: G3/8" 15: G1/2" 20: G3/4" 25: G1"	Blank: Internal Piloted AS: External Piloted	DC12V DC24V AC24V 50Hz/60Hz AC110V 50Hz/60Hz AC220V 50Hz/60Hz AC380V 50Hz/60Hz	LD: Brown with light terminal W: Lead wire

Specification

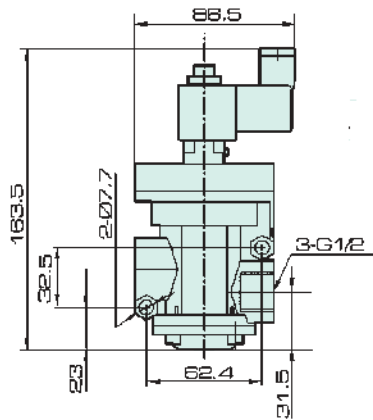
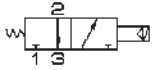
Model	3VJZF-15/10	3VJZF-25/20	3AJZF-15/10	3AJZF-25/20
Working Medium	Air			
Operation	Stop Type			
Orifice	16 mm	25 mm	16 mm	25 mm
Port Size	G1/2", G3/8"	G1", G3/4"	G1/2", G3/8"	G1", G3/4"
Working-pressure	0 ~ 1.0 MPa			
Max. Test Pressure	1.5 MPa			
Operating Voltage Tolerance	± 10%			
Material of Body	Aluminum			

3VJZF Series

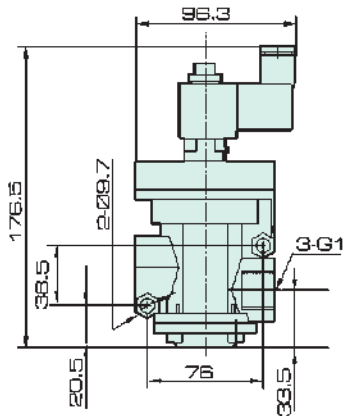
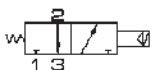
3/2 Way Stop Solenoid Valve

Overall Dimension

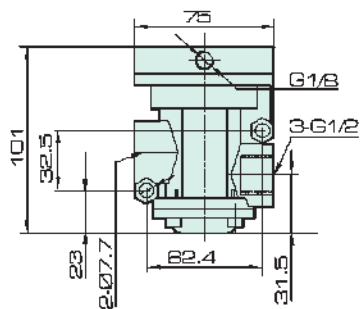
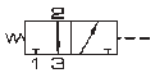
• 3VJZF-15



• 3VJZF-25



• 3AJZF-15



• 3AJZF-25

