



5404 Series High Pressure, High Temperature Solenoid Valve



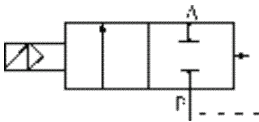
5404-04D



5404-06



5404-08



5404 - 04 - AC110V - D

Model

Joint Pipe Bore

04:1/2"

06:3/4"

08:1"

Standard Voltage

DC12V

DC24V

AC24V 50/60Hz

AC110V 50/60Hz

AC220V 50/60Hz

Wiring Form

Blank: Lead Wire Type

D : Join Connector

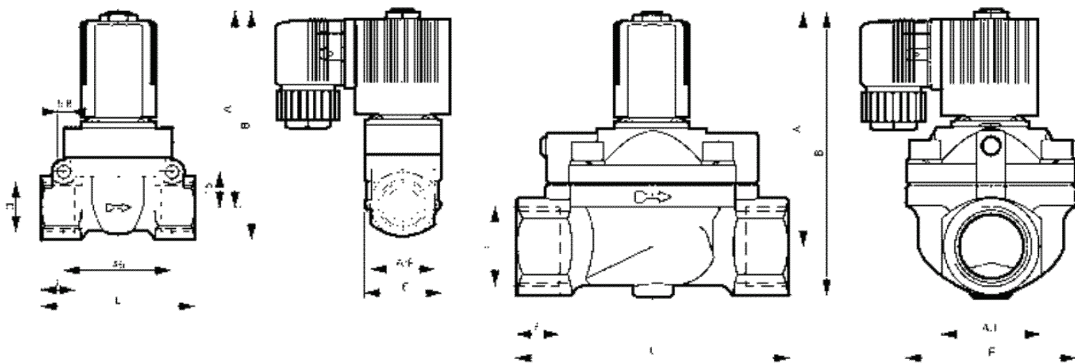
5404 Series High Pressure, High Temperature Solenoid Valve

Specification

Model	5404-04	5404-06	5404-08
Working Medium	Air, Water, Oil		
Motion Pattern	Guide Type		
Type	Normal Close Type		
Aperture of Flow Rate (mm)	13	25	25
Kv Value	2	5	10
Joint Pipe Bore	1/2"	3/4"	1"
Working-pressure (kgf/cm ²)	Gas: 1 ~ 50 Liquid: 1 ~ 40	Gas: 1 ~ 30 Liquid: 1 ~ 25	Gas: 1 ~ 30 Liquid: 1 ~ 25
Max. Pressure Resistance (kgf/cm ²)	75	40	
Operating Temperature Range (°C)	-5~150		
Voltage Range	±10%		
Protect Class	IP65		
Power Consumption	AC:5.5VA DC:9W		
Insulation	F(Class)		
Material of Body	Brass		
Material of Oil Seal	(PTFE)		

*Please contact factory for special voltage and specification.

Overall Dimension



Model	(mm)		A	B	F	E	L	A/F
5404-04	12.0	1/2"	76	90	13	32	64	28
5404-06	20.0	3/4"	99.5	118	16	60	91	41
5404-08	25.0	1"	99.5	118	16	60	91	41