



Offers A Series F. R. L unit and B Series F. R. L unit. The structure of the product is delicate and compact, which is convenient for installation and application. The pressed-in self-locking mechanism can prevent the abnormal movement of the set pressure caused by external interfere. The pressure loss is low and the efficiency of water separating is high. The quantity of oil dripping can be directly observed through transparent check-dome.

Attention:

1. Check whether the components have been damaged during transportation before installing and using.
2. When installing, please pay attention to cleaning the connecting pipes and joints, so as to prevent dirt entering the air passage.
3. Pay attention to whether the flow direction of air and thread type are correct.
4. Keep dust away. The dust cover shall be installed in intake and outlet when the device is dismantled and stored.

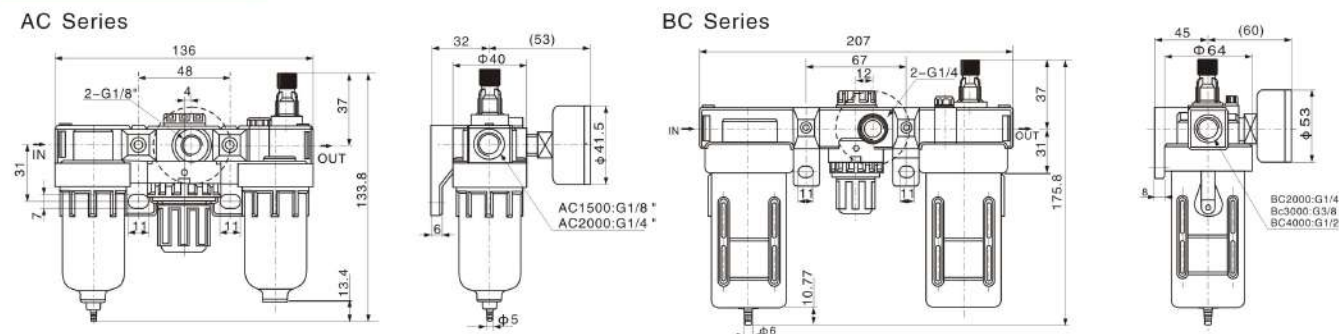
How To Order

BC	3000	D
Model	Joint Pipe Code	Drain Type
AC:Small Size BC:Middle Size	1500:G1/8" 2000:G1/4" 3000:G3/8" 4000:G1/2"	Blank:Differential Drain D:Automatic Drain

Specification:

Model	AC1500	AC2000	BC2000	BC3000	BC4000	
Operating Fluid	Air					
Joint Pipe Bore	G1/8"	G1/4"	G1/4"	G3/8"	G1/2"	
Filtering Element Roughness	40μm					
Range of Adjustable Pressure	0.05 ~ 0.85MPa					
Max. Adjustable Pressure	0.95MPa					
Ensured Pressure Resistance	1.5MPa					
Operating Temperature Range	5~60°C					
Capacity of Filter Cup	15cc				60cc	
Capacity of Oil Feed Cup	25cc				90cc	
Suggested Lube	ISOVG32 or Same Grade Oil					
Weight	0.7KG			0.9KG		
Material	Body Aluminum Die-casting Forming					
	Container Cup Protective Cup Cover PE					
Composing Elements	Filter	AF1500	AF2000	BF2000	BF3000	BF4000
	Regulator	AR1500	AR2000	BR2000	BR3000	BR4000
	Lubricator	AL1500	AL2000	BL2000	BL3000	BL4000

Overall Dimension:



Offers AFC and BFC series air source treatment. The structure is delicate and compact, which is convenient for installation and application. The Pressure loss is low and the efficiency of water separating is high. The quantity of oil dripping can be directly observed through transparent check done.

Attention:

1. Check whether the components have been damaged during transportation before installing and using.
2. Pay attention to whether the flow direction of air and thread type are correct.
3. Regularly clean or change filter core. Lubricators and regulators shall be in descending order.
4. Keep dust away. The dust cover shall be installed in intake and outlet when the device is dismantled and stored.

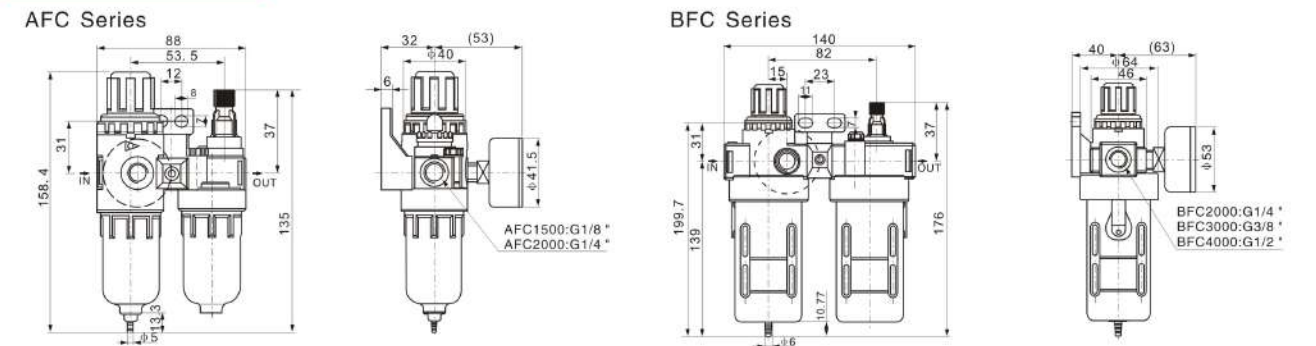
How To Order

BFC	3000	D
Model	Joint Pipe Code	Drain Type
AFC:Small Size BFC:Middle Size	1500:G1/8" 2000:G1/4" 3000:G3/8" 4000:G1/2"	Blank:Differential Drain D:Automatic Drain

Specification:

Model	AFC1500	AFC2000	BFC2000	BFC3000	BFC4000	
Operating Fluid	Air					
Joint Pipe Bore	G1/8"	G1/4"	G1/4"	G3/8"	G1/2"	
Filtering Element Roughness	40μm					
Range of Adjustable Pressure	0.05 ~ 0.85MPa					
Max. Adjustable Pressure	0.95MPa					
Ensured Pressure Resistance	1.5MPa					
Operating Temperature Range	5~60°C					
Capacity of Filter Cup	15cc				60cc	
Capacity of Oil Feed Cup	25cc				90cc	
Suggested Lube	ISOVG32 or Same Grade Oil					
Weight	0.5KG			0.7KG		
Material	Body Aluminum Die-casting Forming					
	Container Cup Protective Cup Cover PE					
Composing Elements	Filter & Regulator	AFR1500	AFR2000	BFR2000	BFR3000	BFR4000
	Lubricator	AL1500	AL2000	BL2000	BL3000	BL4000

Overall Dimension:





Offers A Series Filter and B Series Filter. The structure of AF series is delicate and compact. The bowl of BF series has high-strength plastic shields outside, which is more safe and reliable to use. Both AF series and BF series pressure loss are low and the efficiency of water separating are high. The filter precision of both AF series and BF series includes 5µm and 40µm optional.

Attention:

1. Before installation and use, it is necessary to clean up the oil, dust and other debris in the pipeline.
2. Filter core should be cleaned or replaced regularly.
3. Please notice whether installation condition accords with technical requirements (such as "working pressure" and applied temperature range").

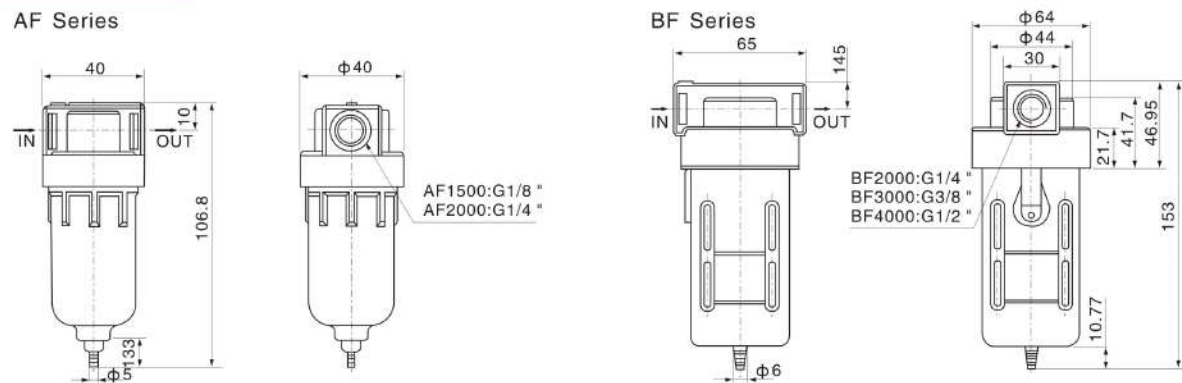
How To Order

BF	3000	D
Model	Joint Pipe Code	Drian Type
AF: Small Size BF: Middle Size	1500:G1/8" 2000:G1/4" 3000:G3/8" 4000:G1/2"	Blank:Differential Drain D:Automatic Drain

Specification:

Model	AF1500	AF2000	BF2000	BF3000	BF4000
Operating Fluid	Air				
Joint Pipe Bore	G1/8"	G1/4"	G1/4"	G3/8"	G1/2"
Filtering Element Roughness	40µm				
Ensured Pressure Resistance	1.5MPa				
Operating Temperature Range	5-60°C				
Capacity of Filter Cup	15cc	60cc			
Weight	0.14KG	0.33KG			
Material	Body	Aluminum Die-casting Forming			
	Container Cup	PE			
	Protective Cup Cover	Iron			

Overall Dimension:



Offers A Series Regulator and B Series Regulator. The structure is delicate and compact, which is convenient for installation and application. The pressed-in and self-locking mechanism function can prevent the abnormal movement of the set pressure caused by external interfere. In addition to standard type, lower pressure type is optional (The highest adjustable pressure is 0.4MPa).

Attention:

1. Check whether the components have been damaged during transportation before installing and using.
2. Pay attention to whether the flow direction of air and thread type are correct.
3. Please notice whether installation condition accords with technical requirements (such as "working pressure" and applied temperature range").
4. Keep dust away. The dust cover shall be installed in intake and outlet when the device is dismantled and stored.

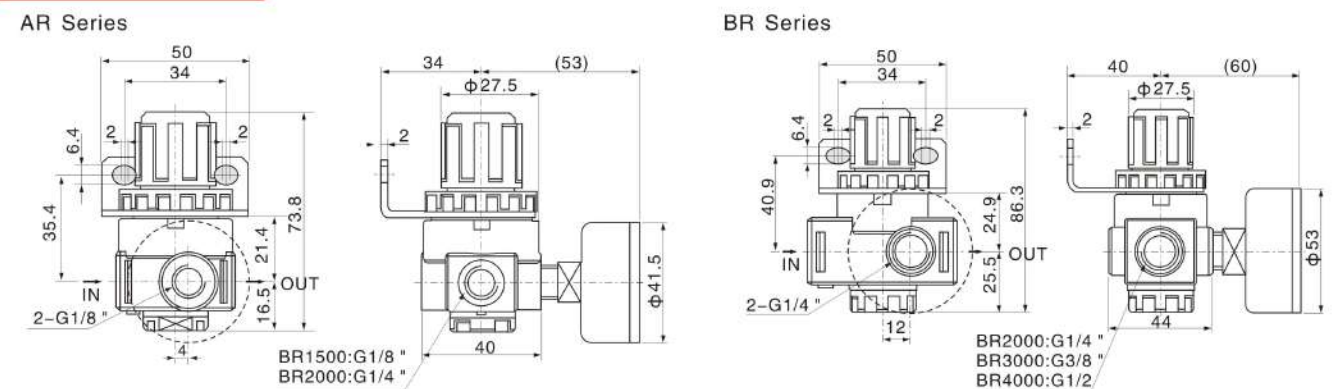
How To Order

BR	3000
Model	Joint Pipe Code
AR: Small Size BR: Middle Size	1500:G1/8" 2000:G1/4" 3000:G3/8" 4000:G1/2"

Specification:

Model	AR1500	AR2000	BR2000	BR3000	BR4000
Operating Fluid	Air				
Joint Pipe Bore	G1/8"	G1/4"	G1/4"	G3/8"	G1/2"
Range of Adjustable Pressure	0.05-0.85MPa				
Max. Adjustable Pressure	0.95MPa				
Ensured Pressure Resistance	1.5MPa				
Operating Temperature Range	5-60°C				
Weight	0.14KG	0.33KG			
Material of Body	Aluminum Die-casting Forming				

Overall Dimension:





Offers A Series Lubricator and B Series Lubricator. The structure of both A Series and B Series are delicate and compact. The quantity of oil dripping can be directly observed through transparent inspection sheet. The pressure loss and the flow of mist start of the two Series are low. BL has high-strength plastic shields, which is more safe and reliable to use.

Attention:

1. Check whether the components have been damaged during transportation before installing and using.
2. Before installation and use, it is necessary to clean up the oil, dust and other debris in the pipeline.
3. When installing, the direction and the sequence should be correct.
4. The oil level in the oil cup should be between the upper and lower limits.

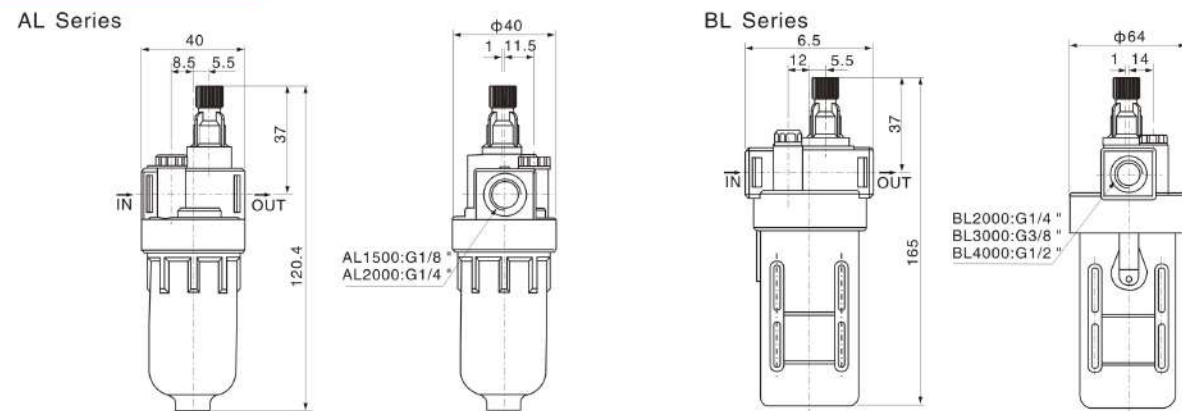
How To Order

BL	—	3000
Model		Joint Pipe Code
AL: Small Size		1500:G1/8" 2000:G1/4"
BL: Middle Size		3000:G3/8" 4000:G1/2"

Specification:

Model	AL1500	AL2000	BL2000	BL3000	BL4000
Operating Fluid	Air				
Joint Pipe Bore	G1/8"	G1/4"	G1/4"	G3/8"	G1/2"
Ensured Pressure Resistance	1.5MPa				
Operating Temperature Range	5~60°C				
Suggested Lube	ISOVG32 or Same Grade Oil				
Capacity Oil Feed Cup	1.5MPa				
Weight	25cc		90cc		
Material	Body	0.17Kg		0.25Kg	
	Container Cup	Aluminum Die-casting Forming			
	Protective Cup Cover	-		Iron	

Overall Dimension:



Offers A Series Filter & regulator and B Series Filter & regulator. The structure of the product is delicate and compact, which is convenient for installation and application. The pressed-in self-locking mechanism can prevent the abnormal movement of the set pressure caused by external interfere. The pressure loss is low and the efficiency of water separating is high. In addition to standard type, lower pressure type is optional (The highest adjustable pressure is 0.4MPa).

Attention:

1. Check whether the components have been damaged during transportation before installing and using.
2. Pay attention to whether the flow direction of air and thread type are correct.
3. Regularly clean or change filter core. Lubricators and regulators shall be in descending order.
4. Keep dust away. The dust cover shall be installed in intake and outlet when the device is dismantled and stored.

How To Order

BFR	—	2000	—	D
Model		Joint Pipe Code		Drian Type
AFR: Small Size		1500:G1/8" 2000:G1/4"		Blank: Differential Drain
BFR: Middle Size		3000:G3/8" 4000:G1/2"		D: Automatic Drain

Specification:

Model	AFR1500	AFR2000	BFR2000	BFR3000	BFR4000
Operating Fluid	Air				
Joint Pipe Bore	G1/8"	G1/4"	G1/4"	G3/8"	G1/2"
Range of Adjustable Pressure	0.05~0.85MPa				
Max. Adjustable Pressure	0.95MPa				
Ensured Pressure Resistance	1.5MPa				
Operating Temperature Range	5~60°C				
Capacity Oil Feed Cup	15cc		60cc		
Weight	0.26Kg		0.40Kg		
Material	Body	Aluminum Die-casting Forming			
	Container Cup	PE			
	Protective Cup Cover	-		Iron	

Overall Dimension:

