



Offers air source, handling triplex includes the air pressure reducing valve, the filter, the oil mist implement three big pieces, the pressure reducing valve may carry on the stable pressure to the air source, causes the air source to be in the constant condition, may reduce because the air source pressure sudden change to the valve or the actuator and so on hardware damage. The filter is used to clean the air source and can filter the moisture in the compressed air to prevent the moisture from entering the device with the air. The oil mist lubricator can lubricate the moving parts of the machine body, and lubricate the parts that are inconvenient to add lubricating oil, which greatly extends the service life of the machine body.

**How To Order**

<b>AC</b>	<b>1000</b>	<b>01</b>
Series	Body size	Port Size
	1000-M5	M5:M5 x 0.8
	2000-1/8 1/4	01:1/8
	3000-3/8	02:1/4
	4000-1/2	03:3/8
	5000-3/4	04:1/2
		06:3/4
		10:1

**Specification:**

Ensured Pressure Resistance	1.5MPa (15kgf/cm <sup>2</sup> )
Highest Working Pressure	1.0MPa(10kgf/cm <sup>2</sup> )
Ambient and Fluid Temperature	5~60°C
Filter Precision	25µm
Recommended Oil Use	Turbine No.1 Oil ISOVG32
Container Material	Polyarbonate
Protective Cover	AC2000(无) (Not Available) AC3000~5000(Available)
Pressure Regulating Range	AC2000~5000:0.05~0.85MPa(0.5~8.5kgf/cm <sup>2</sup> )
Valve Type	With Overflow

5/50µm available as an option.

Model	Specifications				Accessories				
	Filter	Regulator	Lubricator	Rated Flow (L/min)	Port Size (G)	Pressure Gauge Size	Weight (kg)	Bracket (2)	Pressure Gauge
AC1000-M5	AF1000	AR1000	AL1000	90	M5	1/16	0.26	10L	G27-10-R1
AC2000-01	AF2000	AR2000	AL2000	500	1/8	1/8	0.74	20L	G36-10-01
AC2000-02					1/4				
AC2500-02	AF3000	Ar2500	Al3000	1500	1/4	1/8	1.04	30L	G36-10-01
AC2500-03					3/8				
AC3000-02	AF3000	YAR3000	Al3000	2000	1/4	1/8	1.18	30L	G36-10-01
AC3000-03					3/8				
AC4000-03	AF4000	Ar4000	Al4000	4000	3/8	1/4	2.14	40L	G46-10-02
AC4000-04					1/2				
AC4000-06	AF4000-06	AR4000-06	AL4000-06	4500	3/4	1/4	2.47	50L	G46-10-02
AC5000-06	Al5000	Ar5000	Al5000	5000	3/4	1/4	3.82	60L	G46-10-02
YAC5000-10					1				

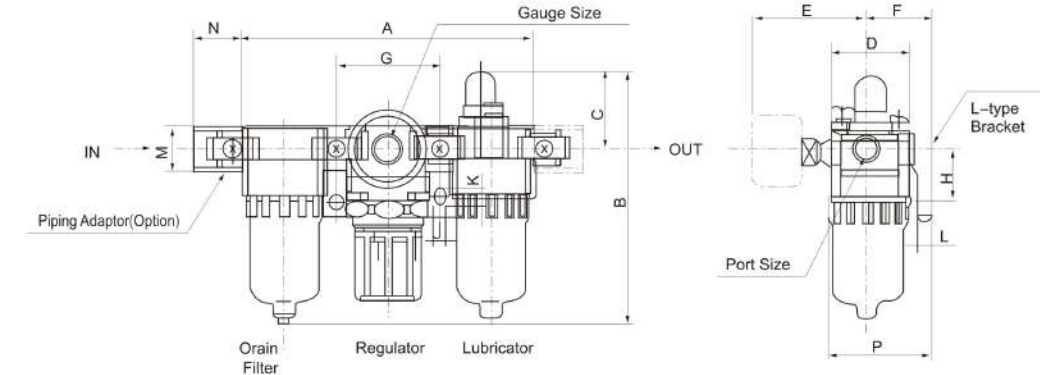
Under the circumstance that the supply pressure is 0.7MPa(7.1kgf/cm<sup>2</sup>)and set pressure is 0.5MPa(5.1kgf/cm<sup>2</sup>)

\*\*Rc and NPT port size available.

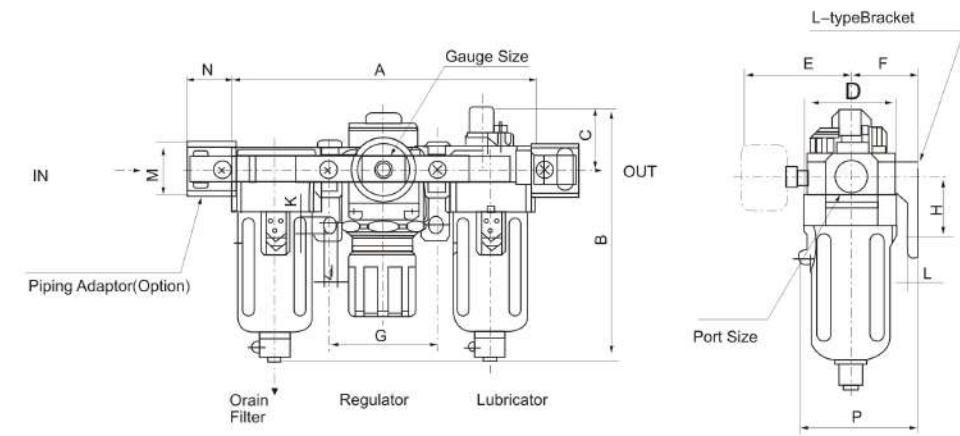


**Overall Dimension:**

AC1000~2000



AC2500~5000



**Dimensions:**

Model	Port Size G	A	B	C	D	E	F	G	H	J	K	L	M	N	P
AC1000	M5	91	84.5	25.5	25	26	25	33	20	4.5	7.5	5	17.5	16	38.5
AC2000	1/8-1/4	140	125	38	40	56.8	30	50	24	5.5	8.5	5	22	23	50
AC2500	1/4-3/8	181	156.5	38	53	60.8	41	64	35	7	11	7	34.2	36	70.5
AC3000	1/4-3/8	181	156.5	38	53	60.8	41	64	35	7	11	7	34.2	36	70.5
AC4000	3/8-1/2	238	191.5	41	70	65.5	50	84	40	9	13	7	42.2	33	88
AC4000-06	3/4	253	193	40.5	70	69.5	50	89	40	9	13	7	46.2	36	88
AC5000	3/4-1	300	271.5	48	90	75.5	69.8	105	50	12	16	10.5	55.2	40	115

Unit:mm



Offers pneumatic double connection refers to the air filter and pressure reducing valve, the pressure reducing valve can stabilize the air source, make the air source in a constant state, can reduce the damage to the valve or actuator and other hardware due to the sudden change of air pressure of the air source. The filter is used to clean the air source and can filter the moisture in the compressed air to prevent the moisture from entering the device with the air.

**How To Order**

<b>AC</b>	<b>1010</b>	<b>01</b>
Series	Body size	Port Size
	1000-M5	M5:M5 x 0.8
	2000-1/8 1/4	01:1/8
	3000-3/8	02:1/4
	4000-1/2	03:3/8
	5000-3/4	04:1/2
		06:3/4
		10:1

Additional: TC2010-02:With Metal Guard  
KAC2010-02:With Plastic Guard

**Specification:**

Ensured Pressure Resistance	1.5MPa (15kgf/cm <sup>2</sup> )
Highest Working Pressure	1.0MPa(10kgf/cm <sup>2</sup> )
Ambient and Fluid Temperature	5-60°C
Filter Precision	25µm
Recommended Oil Use	Turbine No.1 Oil ISOVG32
Container Material	Polyarbonate
Protective Cover	AC2010(Not Available) AC3010~5010(Available)
Pressure Regulating Range	AC2010~5010:0.05~0.85MPa(0.5~8.5kgf/cm <sup>2</sup> )
Valve Type	With Overflow

50µm available as an option.

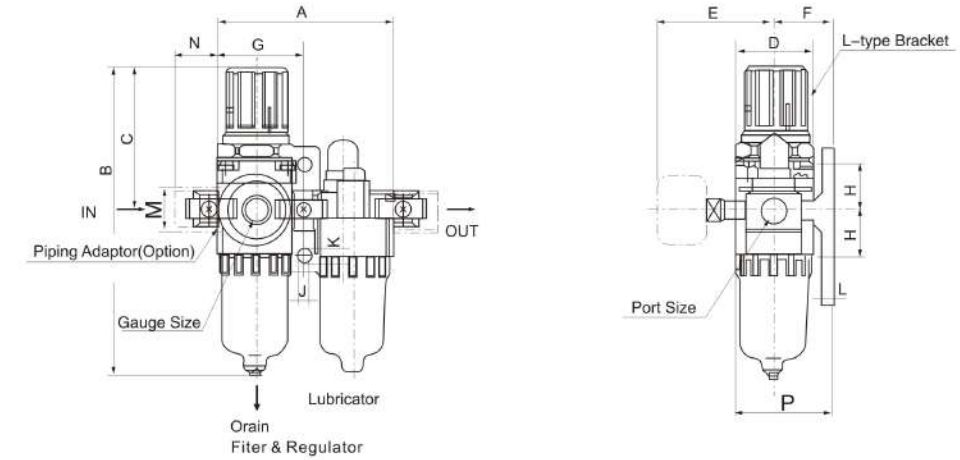
Model	Specifications					Accessories		
	A ssembly		Rated Flow (L/min)	Port Size (G)	Pressure Gauge Size	Weight (kg)	Bracket (2)	Pressure Gauge
Filter&Regulator	Lubricator							
AC1010-M5	YAW1000	AL1000	90	M5	1/16	0.22	10L	G27-10-R1
AC2010-01	YAW2000	AL2000	500	1/8	1/8	0.66	20T	G36-10-01
AC2010-02				1/4				
AC3010-02	YAW3000	AL3000	1700	1/4	1/8	0.98	30T	
AC3010-03				3/8				
AC4010-03	YAW3000	AL3000	3000	3/8	1/4	1.93	40T	
AC4010-04				1/2				
AC4010-06	YAW4000-06	AL4000-06	3000	3/4	1/4	1.99	50T	G46-10-02
AC5010-06	YAW5000	AL5000	4000	3/4	1/4	3.20	60T	
AC5010-10				1				

\*Under the circumstance that the supply pressure is 0.7MPa(7.1kgf/cm<sup>2</sup>)and set pressure is 0.5MPa(5.1kgf/cm<sup>2</sup>)

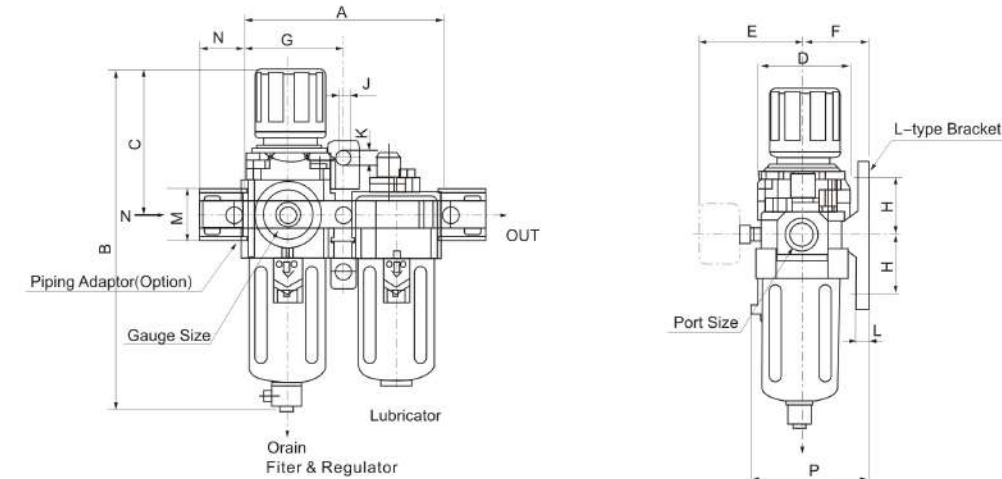
\*\*Rc and NPT port size available.

**Overall Dimension:**

Ac2010



AC3010~5010



**Dimensions:**

Model	Port Size(G)	A	B	C	D	E	F	G	H	J	K	L	M	N	P
AC1000	M5	58	109.5	50.5	25	26	25	29	20	4.5	7.5	5	17.5	16	38.5
AC2010	1/8-1/4	90	164.5	78	40	56.8	30	45	24	5.5	8.5	5	22	23	50
AC3010	1/4-3/8	117	211	92.8	53	60.8	41	58.5	35	7	11	7	34.2	26	70.5
AC4010	3/8-1/2	154	262	112	70	70.5	50	77	40	9	13	7	42.2	33	88
AC4010-06	3/4	164	267	114	70	70.5	50	82	40	9	13	7	46.2	36	88
AC5010	3/4-1	195	338	116	90	75.5	69.8	97.5	50	12	16	10.5	55.2	40	115

Unit:mm



Offers air filter is used for cleaning the air source, which can filter the moisture in the compressed air to avoid the moisture entering the device with the gas. The filter drainage has two ways of pressure difference drainage and manual drainage. When manual drainage, the water level must be discharged before reaching the level below the filter element. We have several of these models, AF1000, AF2000, AF3000, AF4000, AF5000, AF6000.

**How To Order**

<b>AF</b>	<b>1000</b>	<b>01</b>
Series	Body size	Port Size
	1000-M5	M5:M5 x 0.8
	2000-1/8	01:1/8
	3000-3/8	02:1/4
	4000-1/2	03:3/8
	5000-3/4	04:1/2
		06:3/4
		10:1

Additional: TF2000-02 With Metal Guard  
KAF2000-02 With Plastic Guard

**Specification:**

Ensured Pressure Resistance	1.5MPa (15kgf/cm <sup>2</sup> )
Highest Working Pressure	1.0MPa(10kgf/cm <sup>2</sup> )
Ambient and Fluid Temperature	5-60°C
Filter Precision	25µm
Container Material	Polyarbonate
Protective Cover	AF1000-2000(Not Available) AF3000-5000(Available)

5/50µm available as an option.

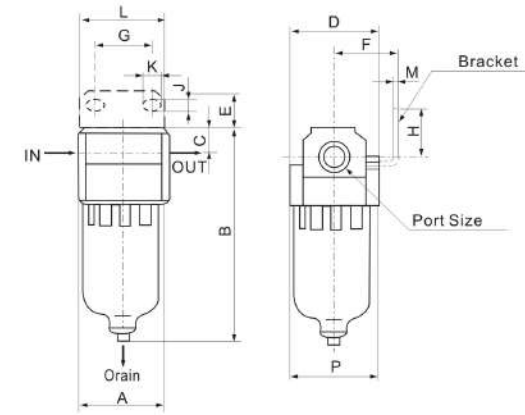
Model	Specifications				Accessories		Drain Function	Auto Drain Model
	Pated Flow (L/min)	Port Size (G)	(Cm <sup>3</sup> ) Bowl Capacity	Weight (kg)	Bracket (2)			
AF1000-M5	110	M5	4	0.07	-	No explain is air shutodd drain (Manual drain or Auto drain can choice)	-	
AF2000-01	750	1/8	15	0.19	B240		AF2000-01D	
AF2000-02		1/4					AF2000-02D	
AF3000-02	1500	1/4	20	0.29	B340		AF3000-02D	
AF3000-03		3/8					AF3000-03D	
AF4000-03		3/8					AF4000-03D	
AF4000-04	4000	1/2	45	0.55	B440		AF4000-04D	
AF4000-06	6000	3/4	45	0.58	B540		AF4000-06D	
AF5000-06	7000	3/4	130	1.08	B640		AF5000-06D	
AF5000-10		1					AF5000-10D	

\*Under the circumstance that the supply pressure is 0.7MPa(7.1kgf/cm<sup>2</sup>)and set pressure is 0.5MPa(5.1kgf/cm<sup>2</sup>)

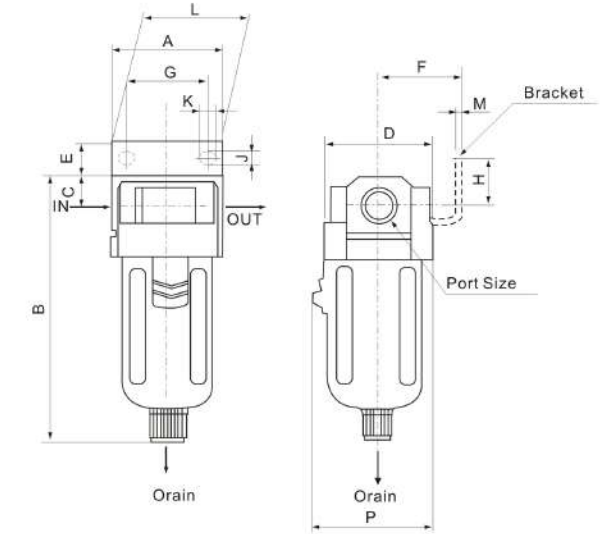
\*\*Rc and NPT port size available.

**Overall Dimension:**

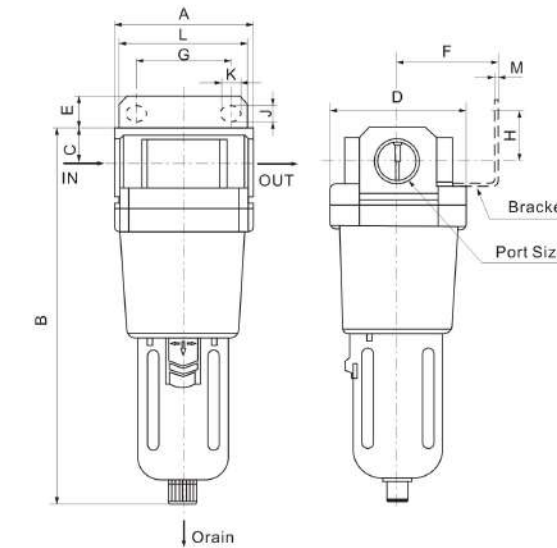
AF1000-2000



AF3000-4000



AF5000



**Dimensions:**

Model	Port Size G	A	B	C	D	E	F	G	H	J	K	L	M	P
AF1000	M5	25	66	7	25	-	-	-	-	-	-	-	-	26.5
AF2000	1/8~1/4	40	97.5	11	40	17	30	27	22	5.4	8.4	40	2.3	40
AF3000	1/8~3/8	53	132.5	14	53	16	41	40	23	6.5	8	53	2.3	56
AF4000	3/8~1/2	70	168.5	18	70	17	50	54	26	8.5	10.5	70	2.3	73
AF4000-06	3/4	75	172.5	20	70	14	50	54	25	8.5	10.5	70	2.3	73
AF5000	3/4-1	90	247.5	24	90	23	66.5	66	35	11	13	90	3.2	90

Unit:mm



Offers pressure regulating valve, it can stabilize the air source and keep the air source in a constant state, which can reduce the damage to the valve or actuator and other hardware due to the sudden change of air pressure of the air source. When adjusting the pressure, pull it up before turning the knob, press down the rotary knob for positioning, rotate the knob to the right to increase the outlet pressure, rotate the knob to the left to reduce the outlet pressure, adjust the pressure gradually and evenly to the required pressure value, do not adjust it in place.

**How To Order**

<b>AR</b>	<b>1000</b>	<b>01</b>
Series	Body size	Port Size
	10-M5	M5:M5 x 0.8
	20-1/8	01:1/8
	25-1/4	02:1/4
	30-3/8	03:3/8
	40-1/2	04:1/2
	50-3/4	06:3/4
	60-1	10:1

**Specification:**

Ensured Pressure Resistance	1.5MPa (15kgf/cm <sup>2</sup> )
Highest Working Pressure	1.0MPa(10kgf/cm <sup>2</sup> )
Pressure Regulating Range	AR2000-5000:0.05-0.85MPa(0.5-8.5kgf/cm <sup>2</sup> )
Ambient and Fluid Temperature	5-60°C
Valve Type	With Overflow

5/50µm available as an option.

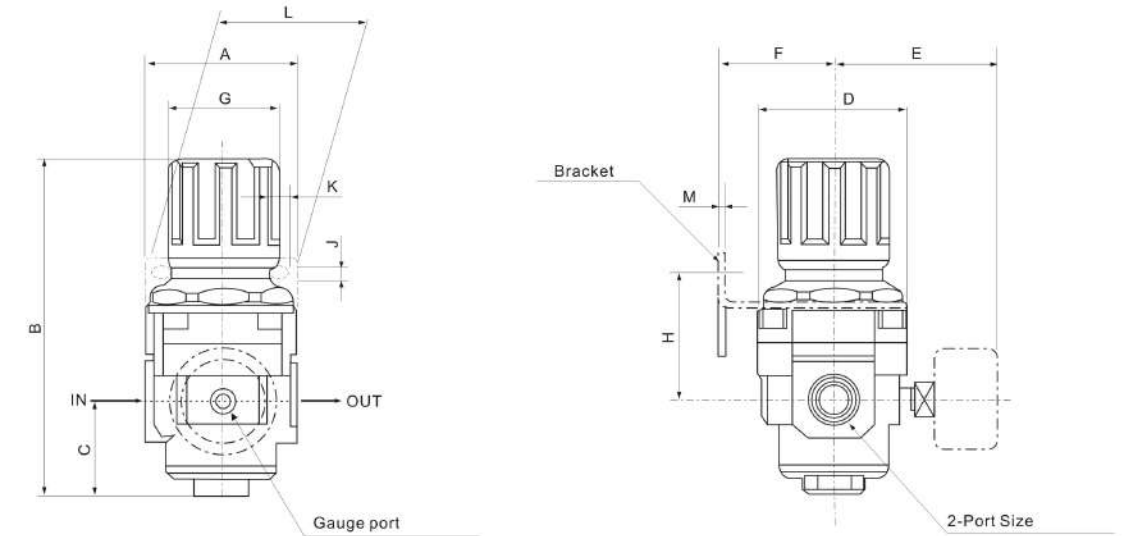
Model	Specifications				Accessories	
	Pated Flow (L/min)	Port Size (G)	Pressure Gauge Size	Weight (kg)	Bracket (2)	Pressure Gauge
AR1000-M5	100	M5	1/16	0.08	B120	G27-10-R1
AR2000-01	550	1/8	1/8	0.27	B220	G36-10-01
AR2000-02		1/4				
AR2500-02	2000	1/4	1/8	0.27	B220	G36-10-01
AR2500-03		3/8				
AR3000-02	2500	1/4	1/8	0.41	B320	G36-10-01
AR3000-03		3/8				
AR4000-03	6000	3/8	1/4	0.84	B420	G46-10-02
AR4000-04		1/2				
AR4000-06	6000	3/4	1/4	0.94	B420	G46-10-02
AR5000-06	8000	3/4	1/4	1.19		
AR5000-10		1				

\*Under the circumstance that the supply pressure is 0.7MPa(7.1kgf/cm<sup>2</sup>)and set pressure is 0.5MPa(5.1kgf/cm<sup>2</sup>)

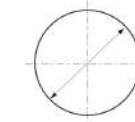
\*\*Rc and NPT port size available.

**Overall Dimension:**

AR1000-5000



Panel Cut Hole



SR1000-3000:Max x 3.5  
SR4000-5000:Max x 5

**Dimensions:**

Model	Port Size(G)	A	B	C	D	E	F	G	H	J	K	L	M	N
AR1000	M5	25	61.5	11	25	26	25	28	30	4.5	6.5	40	2	20.5
AR2000	1/8-1/4	40	95	17	40	56.8	30	34	44	5.4	15.4	55	2.3	33.5
AR2500	1/4-3/8	53	102.5	25	48	60.8	30	34	44	5.4	15.4	55	2.3	33.5
AR3000	1/2-3/8	53	127.5	35	53	60.8	39	40	46	6.5	8	53	2.3	42.5
AR4000	3/8-1/2	70	149.5	37.5	70	65.5	49.2	54	54	8.5	10.5	70	2.3	52.5
AR4000-06	3/4	75	154	40.5	70	69.5	49.2	54	55.5	8.5	10.5	70	2.3	52.5
AR5000	3/4-1	90	168	48	90	75.5	49.2	54	62	8.5	10.5	70	2.3	52.5

Unit:mm



Offer oil mist lubricator, it can lubricate the moving parts of the body, and lubricate the parts that are inconvenient to add lubricating oil, greatly extending the service life of the body. Because the oil mist cannot be allowed to exist in the compressed air in some cases, the oil mist separator should be used to filter the oil mist in the compressed air.

**How To Order**

<b>AL</b>	<b>1000</b>	<b>01</b>
Series	Body size	Port Size
	10-M5	M5:M5 x 0.8
	20-1/8	01:1/8
	30-3/8	02:1/4
	40-1/2	03:3/8
	50-3/4	04:1/2
	60-1	06:3/4
		10:1

Ensured Pressure Resistance	1.5MPa (15kgf/cm <sup>2</sup> )
Highest Working Pressure	1.0MPa(10kgf/cm <sup>2</sup> )
Ambient and Fluid Temperature	5-60°C
Recommended Oil Ues	Turbine No.1 Oil ISOVG32
Container Material	Polyarbonate
Protective Cover	AL2000(Not Available) AL3000-5000(Available)

5/50µm available as an option.

Model	Specifications					Accessories
	Min.Flow of Oil Drop (L/min)	Pated Flow (L/min)	Port Size (G)	(Cm <sup>3</sup> ) Bowl Capacity	Weight (kg)	Bracket (2)
AL1000-M5	4	95	M5	7	0.07	-
AL2000-01	15	800	1/8	25	0.22	B240
AL2000-02			1/4			
AL3000-02	30	1700	1/4	50	0.30	B340
AL3000-03	40		3/8			
AL4000-03	40	5000	3/8	130	0.56	B440
AL4000-04	50		1/2			
AL4000-06	50	6300	3/4	130	0.58	B540
AL5000-06	190	7000	3/4	130	1.08	B640
AL5000-10			1			

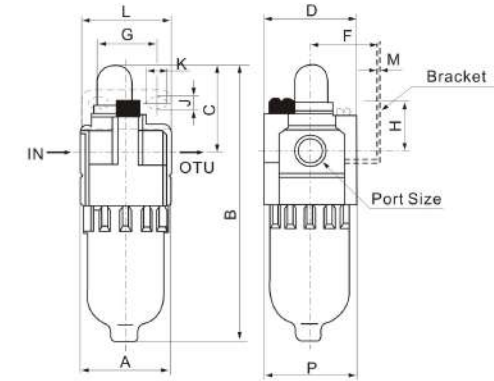
\*Under the circumstance that the supply pressure is 0.5MPa(5.1kgf/cm<sup>2</sup>).Oil drop flow is 5drops/minute, use of Turbine NO.1 Oil and 20°C tempaure.

\*\*Under the circumstance that the supply pressure is 0.5MPa(5.1kgf/cm<sup>2</sup>)and setp down is 0.03MPa(0.3kgf/cm<sup>2</sup>).

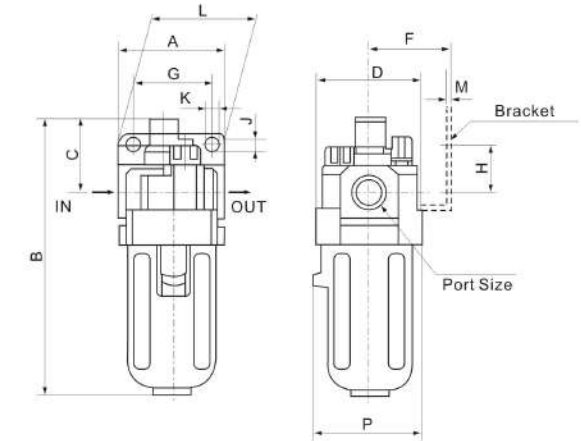
\*\*Rc and NPT port size available.

**Overall Dimension:**

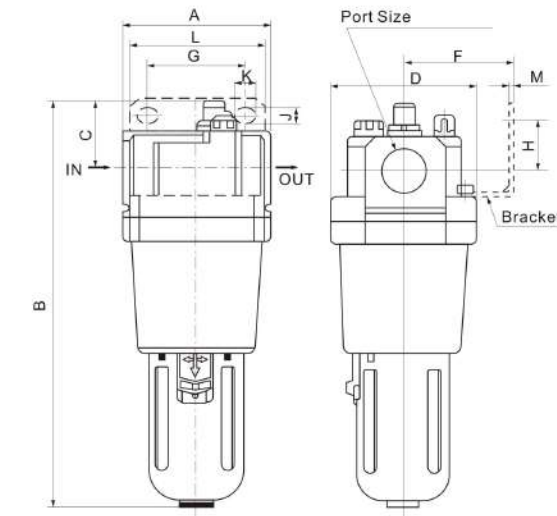
AI2000



AL3000-4000



AI5000



**Dimensions:**

Model	Port Size	A	B	C	D	F	G	H	J	K	L	M	P
AL1000	M5	25	81.5	25.5	25	-	-	-	-	-	-	-	27
AL2000	1/8-1/4	40	122	38	40	30	27	22	5.4	8.4	40	2.3	40
AL3000	1/4-3/8	53	142	38	53	41	40	23	6.5	8	53	2.3	56
AL4000	3/8-1/2	70	177	41	70	50	54	26	8.5	10.5	70	2.3	73
AL4000-06	3/4	75	177	39	70	50	54	25	8.5	10.5	70	2.3	73
AL5000	3/4-1	90	254	45	90	66.5	66	35	11	13	90	3.2	90

Unit:mm



Offers the filter pressure regulating valve, the compressed air through the two-stage three-stage filter to remove oil, water, dust and other impurities in the compressed air, greatly improve the service life of the pressure reducing valve diaphragm and the precision of regulating pressure. Because of the long service life of the filter elements, the filter elements and the pressure relief elements can be repaired separately in the maintenance, without the need of overall replacement, which greatly saves the cost.

**How To Order**

<b>AW</b>	<b>1000</b>	<b>01</b>
Series	Body size	Port Size
	10-M5	M5:M5 x 0.8
	20-1/8	01:1/8
	30-3/8	02:1/4
	40-1/2	03:3/8
	50-3/4	04:1/2
		06:3/4

Additional: KAW2000-02:With Plastic Guard  
TW2000-02:With Metal Guard

**Specification:**

Ensured Pressure Resistance	1.5MPa (15kgf/cm <sup>2</sup> )
Highest Working Pressure	1.0MPa(10kgf/cm <sup>2</sup> )
Ambient and Fluid Temperature	5-60°C
Filter Precision	25 μm
Container Material	Polyarbonate
Protective Cover	AW2000(Not Available)    AW3000-5000(Available)
Pressure Regulating Range	AW2000-5000:0.05-0.85MPa(0.5-8.5kgf/cm <sup>2</sup> )
Valve Type	With Overflow

5/50μm available as an option.

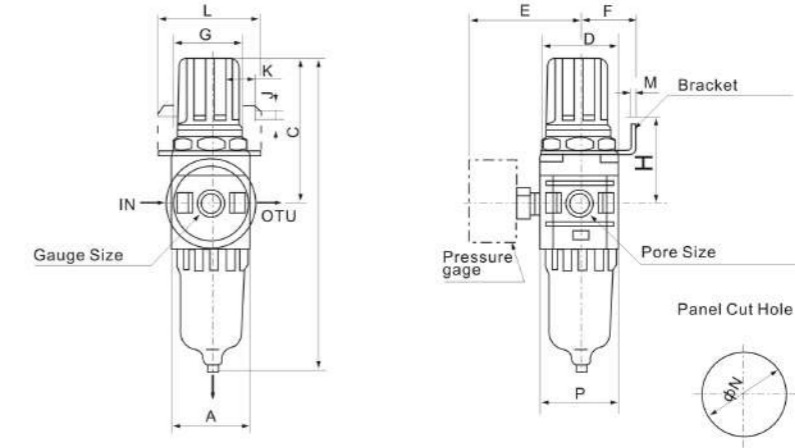
Model	Specifications				Accessories		Drain Function	Auto Drain Model
	Pated Flow (L/min)	Port Size (G)	Pressure Gauge Size	Weight (kg)	Bracket (2)	Pressure Gauge		
AW1000-M5	100	M5	1/16	0.09	B120	G27-10-R1	Manual Drain	-
AW2000-01	550	1/8	1/8	0.36	B220	G36-10-01		AW2000-01D
AW2000-02		1/4					AW2000-02D	
AW3000-02	2000	1/4	1/8	0.56	B320	G36-10-01	AW3000-02D	
AW3000-03		3/8					AW3000-03D	
AW4000-03	4000	3/8	1/4	1.15	B420	G46-10-02	AW4000-03D	
AW4000-04		1/2					AW4000-04D	
AW4000-06	4500	3/4	1/4	1.21	B420	G46-10-02	AW4000-06D	
AW5000-06	5500	3/4	1/4	1.70			AW5000-06D	
AW5000-10		1					AW5000-10D	

\*Under the circumstance that the supply pressure is 0.7MPa(7.1kgf/cm<sup>2</sup>)and set pressure is 0.5MPa(5.1kgf/cm<sup>2</sup>)

\*\*Rc and NPT port size available.

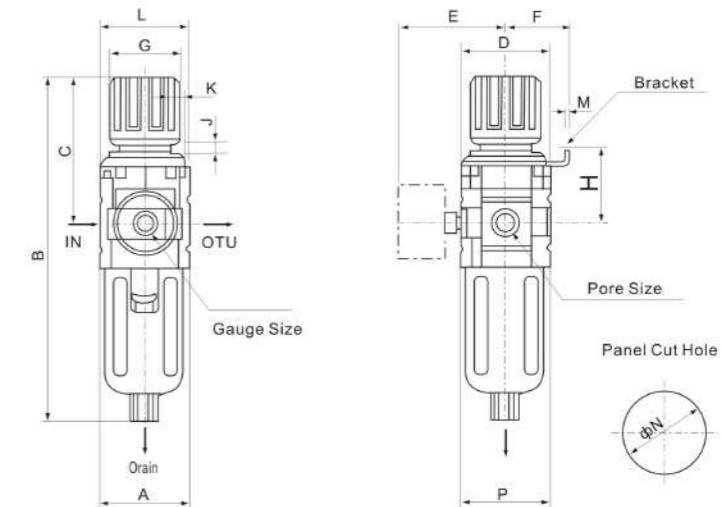
**Overall Dimension:**

AW1000-2000



AW1000:Max.gage3.5  
AW2000:Max.gage5

AW3000-5000



AW3000:Max.gage3.5  
AW4000-5000:Max.gage5

**Dimensions:**

Model	(G) Port Size	A	B	C	D	E	F	G	H	J	K	L	M	N	P
AW1000	M5	25	109.5	50.5	25	26	25	28	30	4.5	6.5	40	2	20.5	28
AW2000	1/8-1/4	40	164.5	78	40	56.8	30	34	43.5	5.4	15.4	55	2.3	33.5	40
AW3000	1/4-3/8	53	211	92.5	53	60.8	39	40	46	6.5	8	53	2.3	42.5	56
AW4000	3/8-1/2	70	262	112	70	70.5	49.2	54	53.5	8.5	10.5	70	2.3	52.5	73
AW4000-06	3/4	75	267	114	70	70.5	49.2	54	55.5	8.5	10.5	70	2.3	52.5	73
AW5000	3/4-1	90	336	116	90	75.5	49.2	54	62	8.5	10.5	70	2.3	52.5	90

Unit:mm