

DL Orifice Adjustable Steam Solenoid Valve



DL-6C



DL-6K



DL-6F

Features

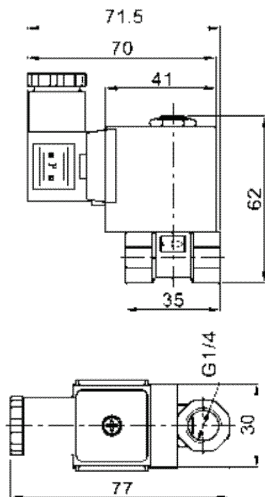
- 1. Can be installed directly on steam iron device as flow control switch.
- 2. Including adjustable and un-adjustable types.
- 3. Fully made of heat resistant material, can reach H Grade.
- 4. Adjust the flow of steam, easily to be operated.
- 5. Direct acting type with good sealing structure, and water-proof character.

Specification

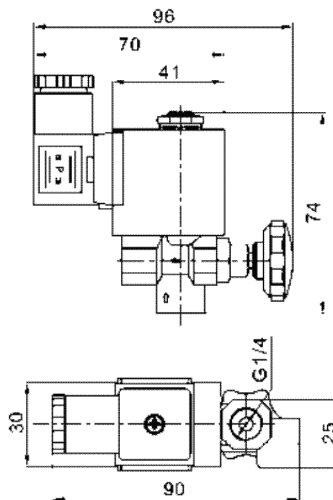
Model	DL-6C	DL-6K	DL-6F
Medium	Water, Steam		
Motion Pattern	Direct Drive Type		
Type	Normal Close Type , Two-position Two-way		
Aperture of Flow Rate (mm)	2.5	0~2.5	0~2.5
Joint Pipe Bore	G1/4" , G1/8"		
Working-pressure	0~0.8MPa		
Ambient Temperature	0.1~180°C		
Voltage Range	AC24, AC110V, AC220-240V, 50/60Hz ±10%		
Material of Body	Brass		
Seal	PTFE , VITON		

外形尺寸/Oevrall Dimension

DL-6C



DL-6K



DL-6F

