



Offers Automatic industrial lined filter regulators. These filter regulators with good tightness, long lifespan and high precision. Quick and reliable mounting clamps makes it convenient to install and use. The efficiency of eliminating moisture and solid grain is high. Three drain types are available: manual drain, semi-auto drain and automatic drain.

Attention:

1. When installing, please pay attention to whether the direction of gas flow is the same as the direction indicated by the arrow on the body, and whether the nozzle and joint threads are correct.
2. Oil feed ring can only make one full turn.
3. Use pressure should not exceed its scope of use.
4. When the outlet air volume is obviously reduced, the filter element should be replaced in time.
5. When installing, please pay attention to cleaning the connecting pipes and joints, so as to prevent dirt from entering the air passage.

How To Order

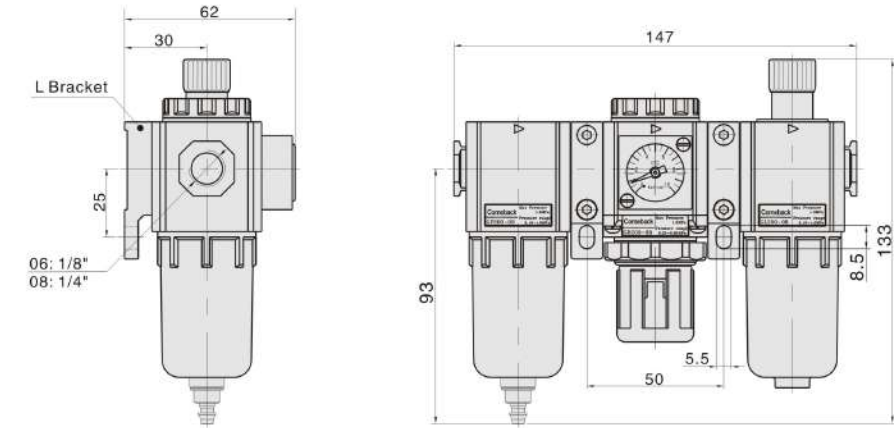
GC	2000	08	M	N	D	P
Code	Series	Port Size	Indication	Pressure Gauge Code	Drain Type	Thread
GC: Series F.R.L unit	200 Series 300 Series 400 Series	06: 1/8" 08: 1/4" 10: 3/8" 15: 1/2"	Blank: 40µm W: 5µm	Blank: With pressure gauge N: NO pressure gauge	Blank: Manual drain D: Automatic drain	Blank: G PT: PT T: NPT

Specification:

Model	2000		3000		4000		
Port size	1/8	1/4	1/4	3/8	1/2	3/8	1/2
Working medium	Air						
Filtering level (µ m)	40 or 5						
Pressure regulating range	Automatic and differential drain: 0.15~1.2MPa (12~174psi) Manual drain: 0.05~1.5MPa (7~215psi)						
Max.pressure	1.2MPa (174psi)						
Guaranteed pressure	1.6MPa (232psi)						
Temperature range (°C)	-5~70°C (No freezing)						
Water capacity (CC)	10		40		80		
Oil capacity (CC)	25		75		160		

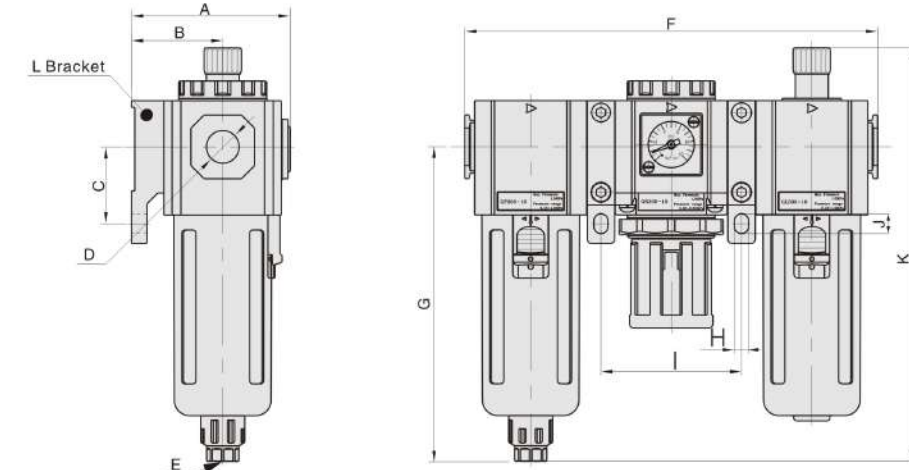
Overall Dimension:

GC200



GC300

GC400



Dimensions:

Model / Symbol	A	B	C	D	E	F	G	H	I	J	K
GC3000-08	72	41.5	35	G1/4"	G1/8"	188	143	6.5	64	9	188
GC3000-10	72	41.5	35	G3/8"	G1/8"	188	143	6.5	64	9	188
GC3000-15	72	41.5	35	G1/2"	G1/8"	188	143	6.5	64	9	188
GC4000-10	89	50	40	G3/8"	G1/4"	248	166.5	8.6	84	12	216
GC4000-15	89	50	40	G1/2"	G1/4"	248	166.5	8.6	84	12	216

Unit:mm



Offers Automatic industrial lined filter regulators. These filter regulators with good tightness, long lifespan and high precision. Quick and reliable mounting clamps makes it convenient to install and use. The efficiency of eliminating moisture and solid grain is high.

Attention:

1. When installing, please pay attention to whether the direction of gas flow is the same as the direction indicated by the arrow on the body, and whether the nozzle and joint threads are correct.
2. Use pressure should not exceed its scope of use.
3. When installing, please pay attention to cleaning the connecting pipes and joints, so as to prevent dirt from entering the air passage.

How To Order

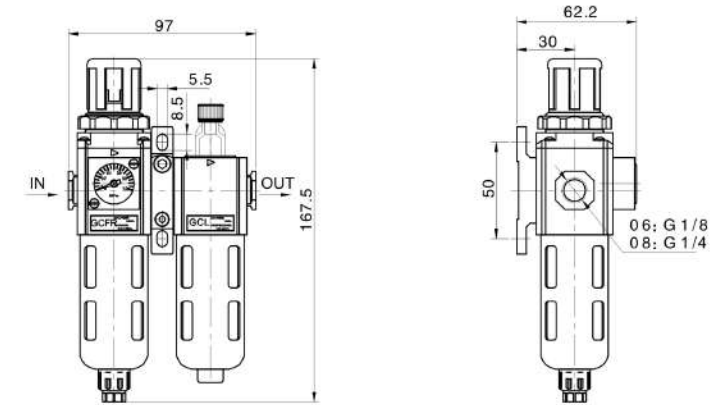
GFC	2010	08	M	N	D	P
Code	Series	Port Size	Indication	Pressure Gauge Code	Drain Type	Thread
GFC: Series FR. L	200 Series 300 Series 400 Series	06: 1/8" 08: 1/4" 10: 3/8" 15: 1/2"	Blank: 40µm W: 5µm	Blank: With pressure gauge N: NO pressure gauge	Blank: Manual drain D: Automatic drain	Blank: G PT: PT T: NPT

Specification:

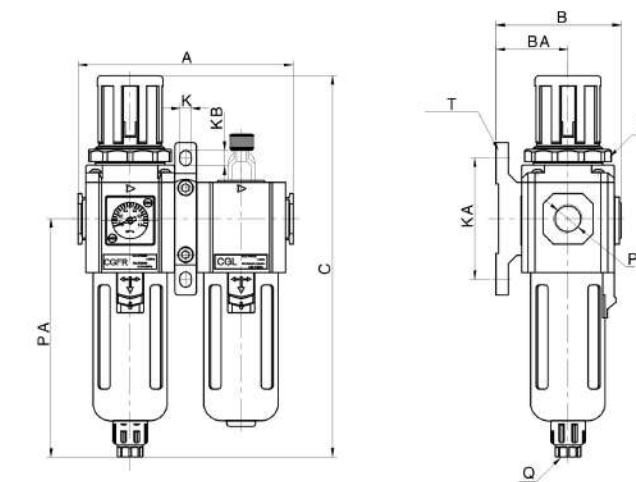
Model	2010		3010		4010		
Port size	1/8	1/4	1/4	3/8	1/2	3/8	1/2
Working medium	Air						
Filtering level (µm)	40 or 5						
Pressure regulating range	Automatic and differential drain: 0.15~1.2MPa (12-174psi) Manual drain: 0.05~1.5MPa (7-215psi)						
Max.pressure	1.2MPa (174psi)						
Guaranteed pressure	1.6MPa (232psi)						
Temperature range (°C)	-5~70°C (No freezing)						
Water capacity(CC)	10		40		80		
Oil capacity (CC)	25		75		160		

Overall Dimension:

GFC2010



GFC3010, G4010



Dimensions:

Model	A	B	BA	C	D	K	KA	KB	P	PA	Q
GFC3010-08	124	72	41.5	225.5	M40x1.5	6.5	70	9	1/4	143	1/8
GFC3010-10	124	72	41.5	225.5	M40x1.5	6.5	70	9	3/8	143	1/8
GFC3010-15	124	72	41.5	225.5	M40x1.5	6.5	70	9	1/2	143	1/8
GFC4010-10	164	89	50	270.5	M55x2.0	8.5	80	12	3/8	166.5	1/4
GFC4010-15	164	89	50	270.5	M55x2.0	8.5	80	12	1/2	166.5	1/4

Unit:mm



Offers Automatic industrial lined filter regulators. These filter regulators with good tightness and long lifespan. Embedded square pressure gauge is used to save installation space. Three drain types are available: manual drain, semi-auto drain and automatic drain.

Attention:

1. When installing, please pay attention to whether the direction of gas flow is the same as the direction indicated by the arrow on the body, and whether the nozzle and joint threads are correct.
2. When installing, please pay attention to cleaning the connecting pipes and joints, so as to prevent dirt from entering the air passage.

How To Order

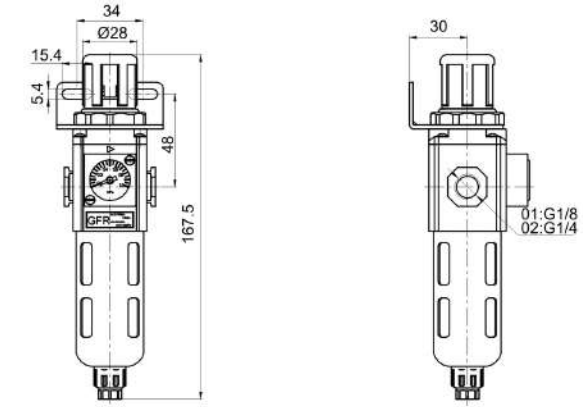
GCFR	2000	08	M	N	D	P
Code	Series	Port Size	Indication	Pressure Gauge Code	Drain Type	Thread
GCFR: Series Filter regulator	2000 Series 3000 Series 4000 Series	06: 1/8" 08: 1/4" 10: 3/8" 15: 1/2"	Blank: 40µm W: 5µm	Blank: With pressure gauge N: NO pressure gauge	Blank: Manual drain D: Automatic drain	Blank: G PT: PT T: NPT

Specification:

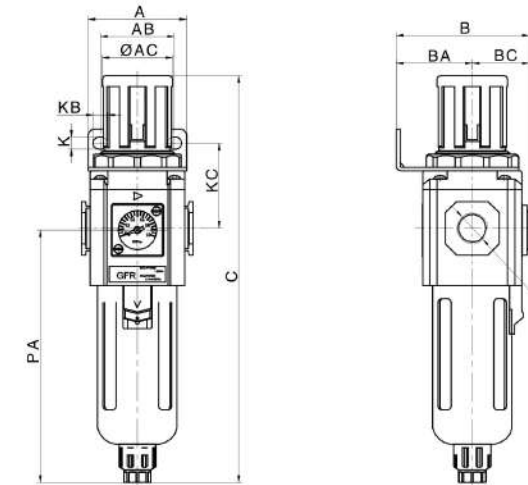
Model	2000		3000			4000	
Port size	1/8	1/4	1/4	3/8	1/2	3/8	1/2
Working medium	Air						
Filtering level (µm)	40 or 5						
Pressure regulating range	Automatic and differential drain: 0.15~1.2MPa (12-174psi) Manual drain: 0.05~1.5MPa (7-215psi)						
Max.pressure	1.2MPa (174psi)						
Guaranteed pressure	1.6MPa (232psi)						
Temperature range (°C)	-5~70°C (No freezing)						
Water capacity (CC)	10		40			80	

Overall Dimension:

GFR2000



GFR3000, GFR4000



Dimensions:

Model	A	AB	AC	B	BA	BC	C	D	K	KA	KB	KC	P	PA	Q
GFR3000-08	60	53	38	72	41	31	225.5	M40X1.5	6.5	40	8	46	1/4	143	1/8
GFR3000-10	60	53	38	72	41	31	225.5	M40X1.5	6.5	40	8	46	3/8	143	1/8
GFR3000-15	60	53	38	72	41	31	225.5	M40X1.5	6.5	40	8	46	1/2	143	1/8
GFR4000-10	80	72	52	90	50	40	270.5	M55X2.0	8.5	52	11	53	3/8	166.5	1/4
GFR4000-15	80	72	52	90	50	40	270.5	M55X2.0	8.5	52	11	53	1/2	166.5	1/4

Unit:mm



Offers Automatic industrial lined filters. These filters have low pressure loss, high efficiency in separating water and large drain bowl capacity. It can effectively separate liquid from air and filter solid particles reliably. Filtering grade includes 5 μm and 40 μm. Three drain types are available: manual drain, semi-auto drain and automatic drain.

Attention:

1. When installing, please pay attention to whether the direction of gas flow is the same as the direction indicated by the arrow on the body, and whether the nozzle and joint threads are correct.
2. When the outlet air volume is obviously reduced, the filter element should be replaced in time.
3. When installing, please pay attention to cleaning the connecting pipes and joints, so as to prevent dirt from entering the air passage.

How To Order

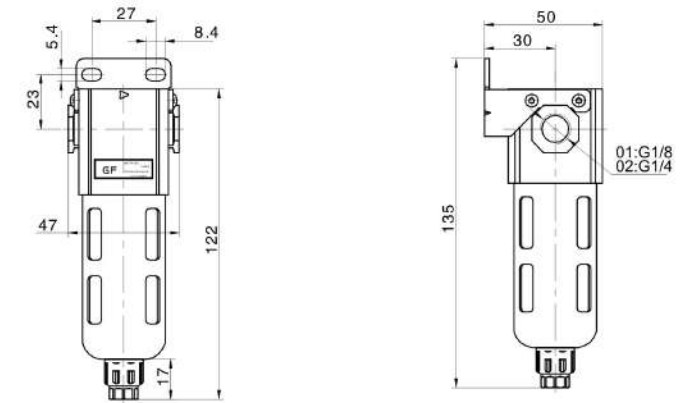
GF	2000	08	M	D	P
Code	Series	Port Size	Indication	Drain Type	Thread
GF: Series Filter regulator	2000 Series 3000 Series 4000 Series	06: 1/8" 08: 1/4" 10: 3/8" 15: 1/2"	Blank: 40μm W: 5μm	Blank: Manual drain D: Automatic drain	Blank: G PT: PT T: NPT

Specification:

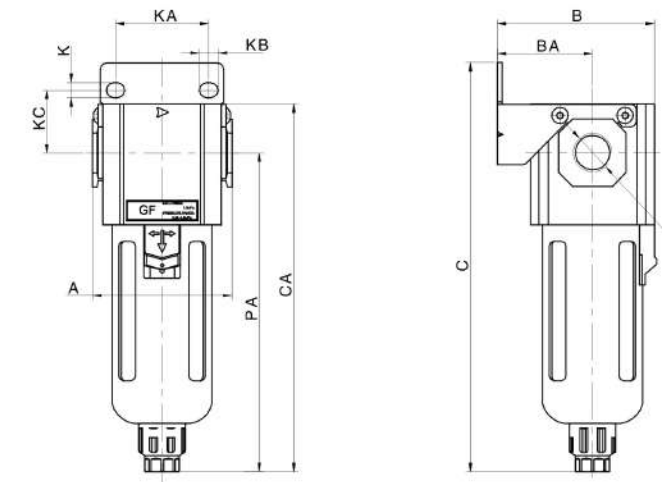
Model	2000		3000			4000	
Port size	1/8	1/4	1/4	3/8	1/2	3/8	1/2
Working medium	Air						
Filtering level (μm)	40 or 5						
Max.pressure	1.2MPa (174psi)						
Guaranteed pressure	1.6MPa (232psi)						
Temperature range (°C)	-5~70°C (No freezing)						
Water capacity (CC)	10		40			80	

Overall Dimension:

Gf2000



GF3000、GF4000



Dimensions:

Model	A	B	BA	C	CA	K	KA	KB	KC	P	PA	Q
GF3000-08	60	67.5	41	182	164	6.5	40	8	27	1/4	143	1/8
GF3000-10	60	67.5	41	182	164	6.5	40	8	27	3/8	143	1/8
GF3000-15	60	67.5	41	182	164	6.5	40	8	27	1/2	143	1/8
GF4000-10	80	85.5	50	208	191.5	8.5	52	11	33.5	3/8	166.5	1/4
GF4000-15	80	85.8	50	208	191.5	8.5	52	11	33.5	1/2	166.5	1/4

Unit:mm



Offers Automatic industrial lined regulators. These filter regulators with good tightness and long lifespan. Embedded square pressure gauge is used to save installation space. Balanced design is adopted for the pressure adjustment mechanism. In addition to panel installation and standard type, the bracket and lower pressure type is optional.

Attention:

1. When installing, please pay attention to whether the direction of gas flow is the same as the direction indicated by the arrow on the body, and whether the nozzle and joint threads are correct.
2. Must be installed with filters.
3. Use pressure should not exceed its scope of use.
4. When installing, please pay attention to cleaning the connecting pipes and joints, so as to prevent dirt from entering the air passage.

How To Order

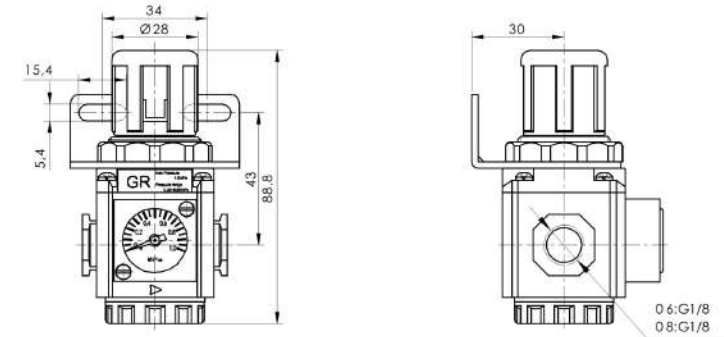
GR	2000	08	D	P
Code	Series	Port Size	Drain Type	Thread
GR: Series regulator	2000 Series 3000 Series 4000 Series	06: 1/8" 08: 1/4" 10: 3/8" 15: 1/2"	Blank: Manual drain D: Automatic drain	Blank: G PT: PT T: NPT

Specification:

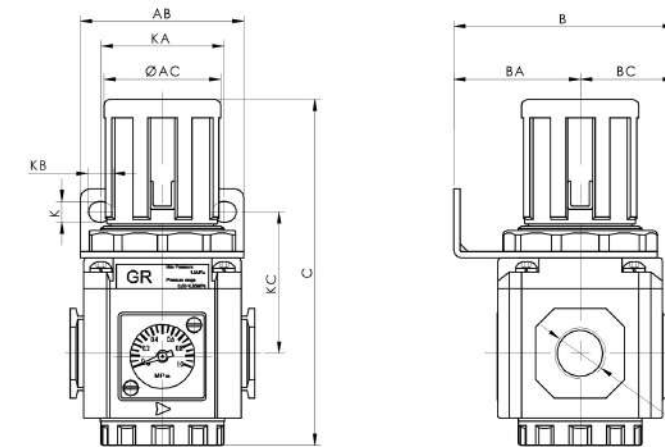
Model	2000		3000		4000		
Port size	1/8	1/4	1/4	3/8	1/2	3/8	1/2
Working medium	Air						
Pressure regulating range	0.15~1.2MPa (12-174psi)						
Max.pressure	1.2MPa (174psi)						
Guaranteed pressure	1.6MPa (232psi)						
Temperature range (°C)	-5~70°C (No freezing)						

Overall Dimension:

Gr2000



CGR3000、GR4000



Dimensions:

Model	A	AB	AC	B	BA	BC	C	D	K	KA	KB	KC	P	Unit:mm
GR3000-08	60	53	38	72	41	31	112.5	M40X1.5	6.5	40	8	46	1/4	
GR3000-10	60	53	38	72	41	31	112.5	M40X1.5	6.5	40	8	46	3/8	
GR3000-15	60	53	38	72	41	31	112.5	M40X1.5	6.5	40	8	46	1/2	
GR4000-10	80	72	52	90	50	40	140.5	M55X2.0	8.5	55	11	53	3/8	
GR4000-15	80	72	52	90	50	40	140.5	M55X2.0	8.5	55	11	53	1/2	



Offers Automatic industrial lined lubricators. These filter regulators with good tightness and long lifespan. Special drip nozzle structure will produce negative pressure in oil dripping outlet and the mist flow is minimal. Filling of oil while the lubricator is under pressure is made possible. The bracket can be selected for installation.

Attention:

1. When installing, please pay attention to whether the direction of gas flow is the same as the direction indicated by the arrow on the body, and whether the nozzle and joint threads are correct.
2. Oil must be replenished in time.
3. Check regularly whether the metal shell of the oil cup of the oil mist is intact, whether the oil cup and the oil window are cracked or contaminated.
4. Installation should not be tilted.
5. When installing, please pay attention to cleaning the connecting pipes and joints, so as to prevent dirt from entering the air passage.

How To Order

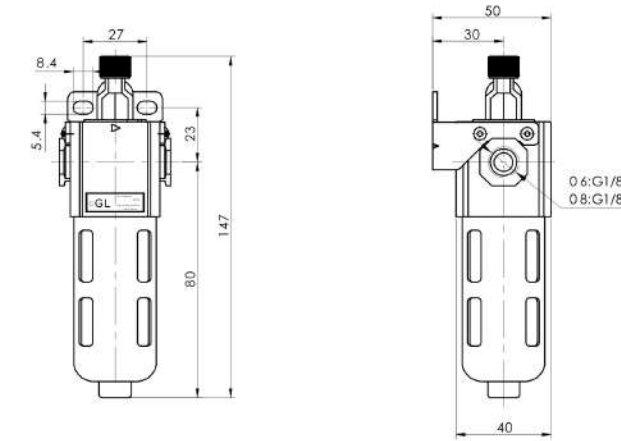
GL	2000	08	P
Code	Series	Port Size	Thread
GL: Series Lubricator	2000 Series 3000 Series 4000 Series	06: 1/8" 08: 1/4" 10: 3/8" 15: 1/2"	Blank: G PT: PT T: NPT

Specification:

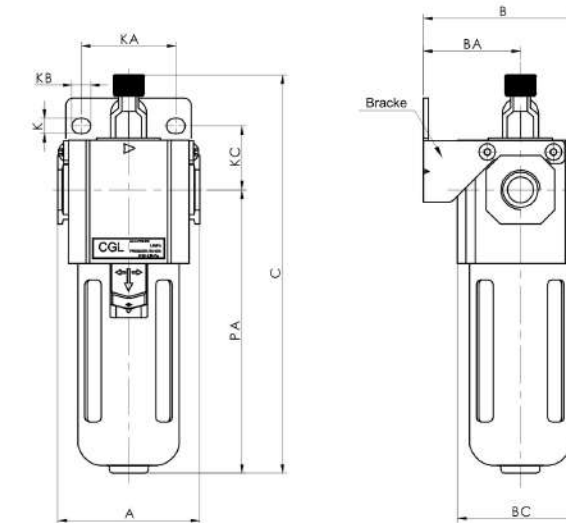
Model	2000		3000			4000	
	Port size	1/8	1/4	1/4	3/8	1/2	3/8
Working medium	Air						
Max.pressure	1.2MPa (174psi)						
Guaranteed pressure	1.6MPa (232psi)						
Temperature range (°C)	-5~70°C (No freezing)						
Oil capacity (CC)	25		75			160	

Overall Dimension:

GI2000



CGL3000, GL4000



Dimensions:

Model	A	AB	AC	B	BA	BC	C	D	K	KA	KB	KC	P
GL3000-08	60	53	38	72	41	31	112.5	M40X1.5	6.5	40	8	46	1/4
GL3000-10	60	53	38	72	41	31	112.5	M40X1.5	6.5	40	8	46	3/8
GL3000-15	60	53	38	72	41	31	112.5	M40X1.5	6.5	40	8	46	1/2
GL4000-10	80	72	52	90	50	40	140.5	M55X2.0	8.5	55	11	53	3/8
GL4000-15	80	72	52	90	50	40	140.5	M55X2.0	8.5	55	11	53	1/2

Unit:mm