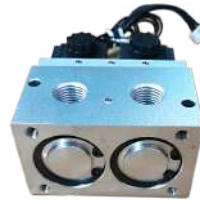




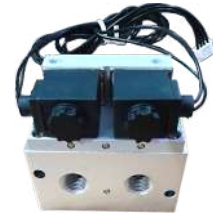
OV-08FB2.8W/1.5W



OV-08-BJSR



OV-08



OV-08-ZDKR

New practical national patent (Patent number: ZL03255648.9)

Awarded national new excellent product

Low pressure system valve for medical application

Special fomular silicone for longer service life.

## Features

1. Adopt new processing, improved inner hole roughness.
2. Adopt specially formulated silicone to increase of service life.
3. To import German high standard special grease which provides

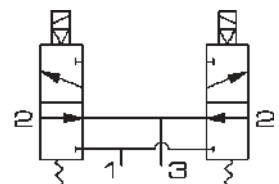
film in order to reduce the friction.

4. Valve spool material use soft magnetic stainless steel from German, increase the magnetic properties and reduce the coil power to 30%.

## Ordering Code

OV	08	ZDKR	DC12	W
Diaphragm	Port Size	Fix Form	Standard Voltage	Wattage
	08: G1/4"	Standard	DC12V	Standard: 3W
		ZDKR	DC24V	Low Consumption: 1.5W
		BJSR		
		FB		

## Symbol

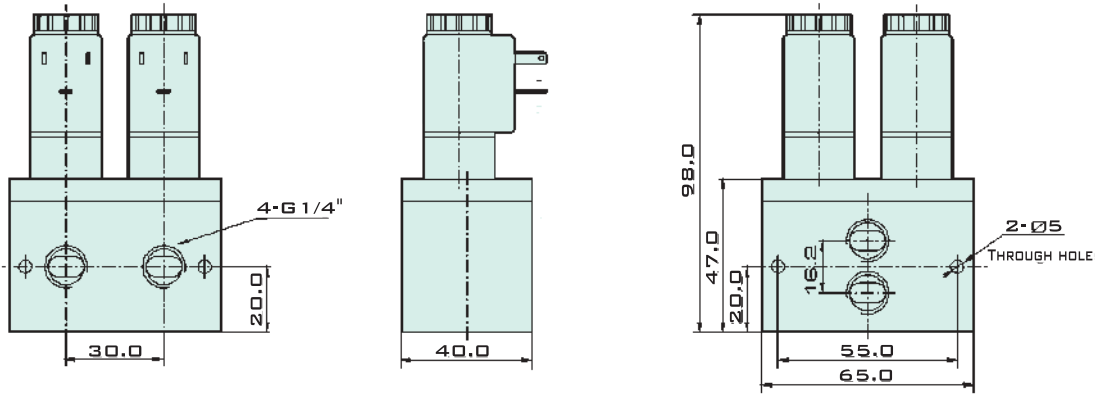


## Specification

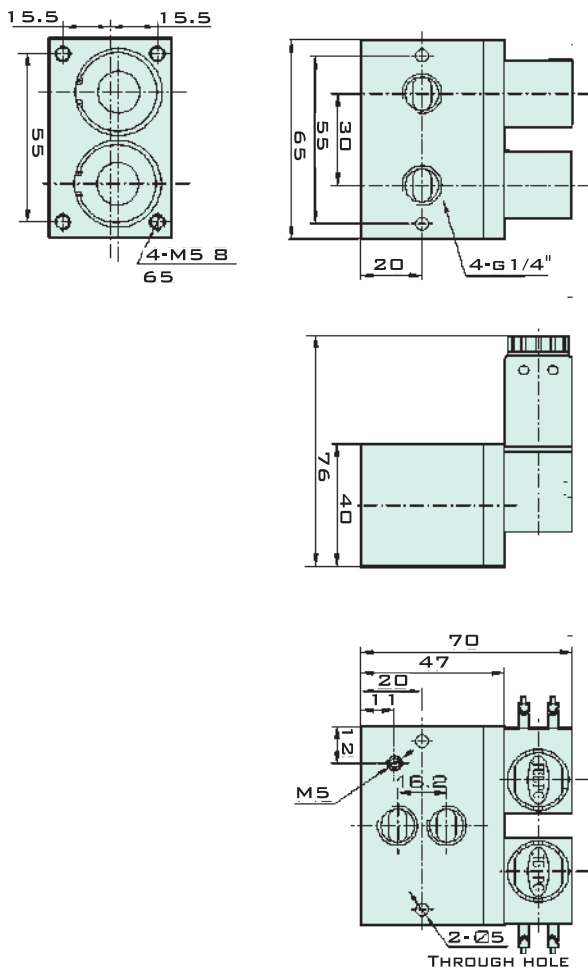
Model	OV-08
Valve Type	4/2 Way
Working Medium	40 Micron Filtered Air
Operation	Internal Piloted
Working-pressure	0.08 ~ 0.35 MPa
Ambient Temperature	-5 ~ 80 °C
Protection Class	F Class, IP 65

Overall Dimension

OV-MP-08



OV-MP-08-BJSR



OV-MP-08-ZDKR

