

PU220 Series Solenoid Valve



PU220-02



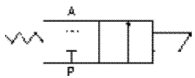
PU220-04



PU220-06



PU220-08



PU 220 - 02 AC220V - T

Specification Code

PU: Two position two way solenoid valve

Motion Pattern

220: Direct drive type

Joint Pipe Bore

01:1/8" 02:1/4"

03:3/8" 04:1/2"

06:3/4" 08:1"

Standard Voltage

DC12V

DC24V

AC110V 50/60Hz

AC220V 50/60Hz

Wiring Form

Blank: Standard Coil

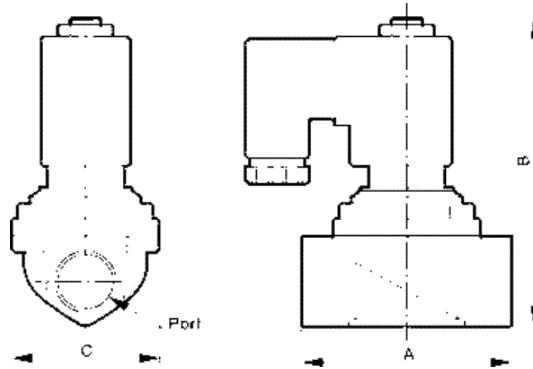
T: Timer Coil

PU220 Series Solenoid Valve

| Specification | | | | | |
|---|-------------------|----------|----------|----------|--|
| Model | PU220-02 | PU220-04 | PU220-06 | PU220-08 | |
| Working Medium | Air, Water, Oil | | | | |
| Motion Pattern | Direct Drive Type | | | | |
| Type | Normal Close Type | | | | |
| Aperture of Flow Rate (mm) | 2.3 | 8.0 | 20 | 25 | |
| CV Value | 0.18 | 1 | 8.6 | 11 | |
| Joint Pipe Bore | 1/4" | 3/8" | 3/4" | 1" | |
| Operation Fluid Viscosity | 50 CST | | | | |
| Working-pressure (kgf/cm ²) | 0~7 | | | | |
| Max. Pressure Resistance (kgf/cm ²) | 10.5 | | | | |
| Operating Temperature (°C) | -5~80 | | | | |

*Please contact factory for special voltage and specification.

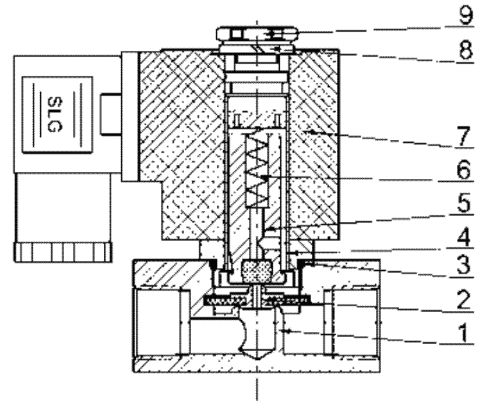
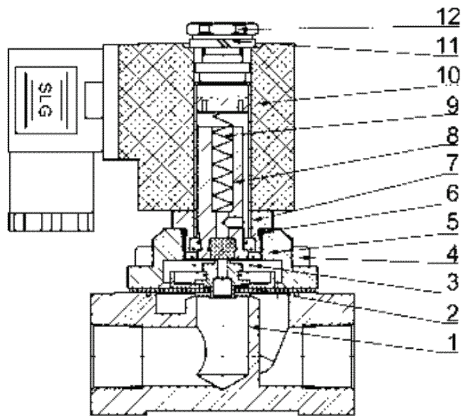
Oevrall Dimension



| Model | Bore | A | B | C |
|----------|-------|----|-----|----|
| PU220-02 | 1/4 " | 30 | 61 | 22 |
| PU220-04 | 1/2 " | 66 | 100 | 48 |
| PU220-06 | 3/4 " | 75 | 108 | 58 |
| PU220-08 | 1 " | 97 | 121 | 70 |

PU220 Series Solenoid Valve

Inner Structure



| NO. | Name |
|-----|-----------------------|
| 1 | Body of Valve |
| 2 | Assembly of Diaphragm |
| 3 | Pull Spring |
| 4 | Socket Hexagon Screws |
| 5 | Valve Cover |
| 6 | O-ring |
| 7 | Assembly Of Iron Core |
| 8 | Assembly Of Iron Core |
| 9 | Spring |
| 10 | Coil |
| 11 | Gasket |
| 12 | Nut |

| NO. | Name |
|-----|-----------------------|
| 1 | Body of Valve |
| 2 | Assembly of Diaphragm |
| 3 | O-ring |
| 4 | Assembly Of Iron Core |
| 5 | Assembly Of Iron Core |
| 6 | Spring |
| 7 | Coil |
| 8 | Gasket |
| 9 | Nut |