



Techno offers R07 series regulator for air preparation. The air regulator is a valve that can automatically maintain stable outlet pressure by adjusting the inlet pressure to a required outlet pressure and relying on the energy of the medium itself. It is an important part of air preparation.

R07 series have two port size: G1/8" and G1/4".

Attention:

1. When installing, please pay attention to cleaning the connecting pipes and joints, so as to prevent dirt from entering the air passage.
2. Please choose the right direction of gas flow is the same as the direction indicated by the arrow on the body, and whether the nozzle and the joint teeth are correct.
3. When fixing the oil feeder of the filter and pressure regulating valve, please matching the convex groove of the fixing bracket with the concave groove on the body, then locking it with the fixing sheet and screw.

How To Order

NR

200

Series

R07 series pipe type regulator
B07 Series Pipe type filter-regulator
L07 microtype lubricator
P1H/ PTH series filter, regulator and lubricator

Joint Pipe Code

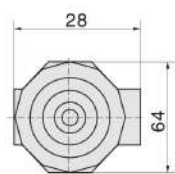
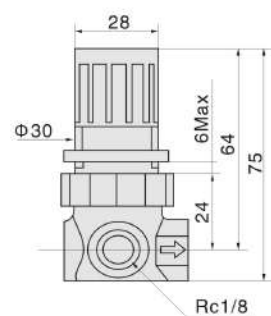
100:G1/8"
200:G3/4 "

Specification:

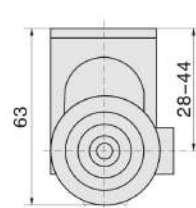
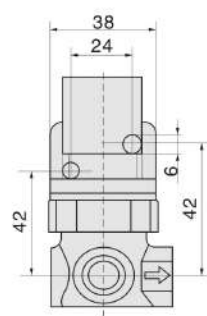
Model	R07	B07	L07	P1H/PTH
Operating Fluid	Air			
Inletport pressure	0~10bar	0~10bar(Transparent cup)	Transparent cup: 6.3bar	0~10bar
Pressure gauge port	Rc1/8	-	-	-
Ambient temperature	-20~50°C	Transparent cup: -20~50°C	-	-
Bady material	Aluminium			

Overall Dimension:

R07 Dimension



Installation bracket



Techno offers IR series precision pressure regulating valve. Precision pressure regulating valve is a necessary part of pneumatic control valve. Its main function is to reduce the pressure of the air source and stabilize it to a certain value, so as to enable the control valve to obtain a stable pneumatic power for regulation and control. The IR series advantages are high precision, adjustable and long service life.

Attention:

1. If valves are frequently switched on and off, lubricate them at least once a month.
2. When installing, please pay attention to cleaning the connecting pipes and joints, so as to prevent dirt from entering the air passage.
3. Please choose the right direction of gas flow is the same as the direction indicated by the arrow on the body, and whether the nozzle and the joint teeth are correct.

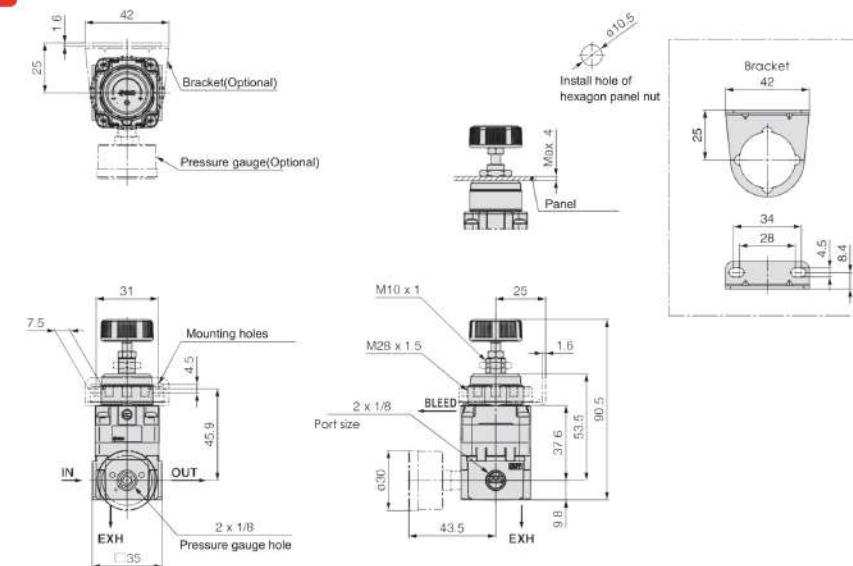
How To Order

IR	10	00	P
Series	Body Dimension	Pressure Range	Thread Type
IR:Series precision pressure regulator	10:1000Body 20:2000Body	0:0.005~0.2Mpa 1:0.01~0.4Mpa 2:0.01~0.8Mpa	G:Blank P:PT T:NPT

Specification:

Model	1000	2000
Port size	1/8"	1/4"
Working medium	Air	
Guaranteed pressure	1.5MPa (215psi)	
Max.pressure	1.0MPa (145psi)	
Min.pressure	+0.05MPa/Set pressure+0.05MPa	
pressure regulating range	IR1000-01:0.005~0.2MPa IR1020-01:0.01~0.8MPa	IR2000-01:0.005~0.2MPa IR2020-01:0.01~0.8MPa
Sensitivity	0.2%以内/Within 0.2 percent of the full value	
Repeat accuracy	0.5%以内/Within 0.5 percent of the full value	
Air consumption (L/min)	1 (ANR) /Below	
Temperature range (°C)	-5~60 No freezing	
Weight (KG)	0.13	0.23

Overall Dimension:





Offers QTYH series high pressure regulator for air preparation. This air regulator support the pressure from 0bar to 20bar . It can automatically maintain stable outlet pressure by adjusting the inlet pressure to a required outlet pressure and relying on the energy of the medium itself. It is an important part of air preparation. QTYH series have size from G1/8 " to G1".

Attention:

1. When installing, please pay attention to cleaning the connecting pipes and joints, so as to prevent dirt from entering the air passage.
2. Please choose the right direction of gas flow is the same as the direction indicated by the arrow on the body, and whether the nozzle and the joint teeth are correct.
3. When fixing the oil feeder of the filter and pressure regulating valve, please matching the convex groove of the fixing bracket with the concave groove on the body, then locking it with the fixing sheet and screw.

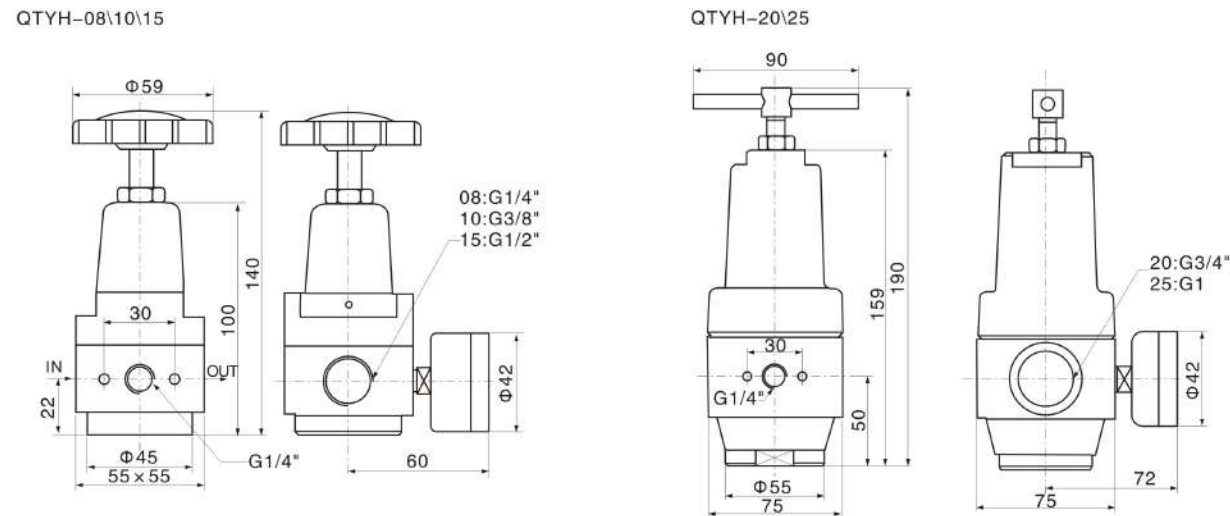
How To Order

QTYH	15
Type	Joint Pipe bore
High Pressure Regulator	08: G1/4" 25: G1" 10: G3/8" 32: G1 1/4 15: G1/2" 40: G1 1/2" 20: G3/4" 50: G2"

Specification:

Type	QTYH-08	QTYH-10	QTYH-15	QTYH-20	QTYH-25	QTYH-32	QTYH-40	QTYH-50
Operating fluid	Air							
Joint pipe bore	G1/4	G3/8	G1/2	G3/4	G1	G1 1/4	G1 1/2	G2
Range of adjustable pressure	0.05~3.5MPa							
Max.input pressure	4MPa							
Operating temperatuer range	-25~+80℃							

Overall Dimension:



Techno offers QSLH series high pressure lubricator. This lubricator have two cups, which can reduce the rust for the cylinder and lubricate the cylinder. They can support the pressure from 0bar to 20bar . They can lubricate the moving parts of the body, lubricate the parts that are not convenient to add lubricating oil, and greatly prolong the service life of the body. QSLH series have size from G1/8" to G1".

Attention:

1. Some parts are made of PC material, which is prohibited from approaching or using in organic agent environment. Use neutral detergent for PC cup cleaning.
2. Use pressure should not exceed its scope of use.
3. When the outlet air volume is obviously reduced, the filter element should be replaced in time.

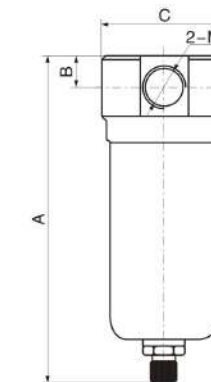
How To Order

QSLH	15
Type	Joint Pipe bore
High Pressure Filter	08: G1/4" 25: G1" 10: G3/8" 32: G1 1/4 15: G1/2" 40: G1 1/2" 20: G3/4" 50: G2"

Specification:

Type	QSLH-08	QSLH-10	QSLH-15	QSLH-20	QSLH-25	QSLH-32	QSLH-40	QSLH-50
Operating fluid	Air							
Joint pipe bore	G1/4	G3/8	G1/2	G3/4	G1	G1 1/4	G1 1/2	G2
Filtering eliment roughness	20μm or 40μm							
Working of adjustable pressure	0.15~4.0MPa							
Max.input pressure	4MPa							
Operating temperatuer range	5~80℃							

Overall Dimension:



Dimensions:

Bore	Code	A	B	C	M
10		160	15	60	G3/8
15		160	15	60	G1/2
20		215	75	90	G3/4
25		215	75	90	G1

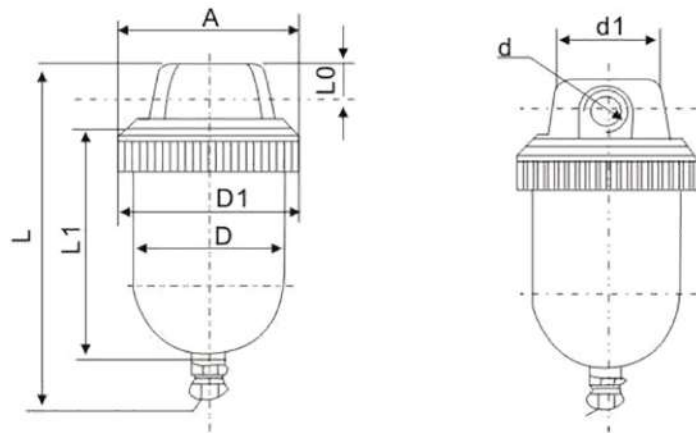
Unit:mm



Offers QSL series Filter. The structure of the filter is delicate and compact. The bowl has high-strength plastic shields outside, which is more safe and reliable to use. The pressure loss is low and the efficiency of water separating are high. The filter precision includes 5µm and 40µm optional.

Attention:

1. Before installation and use, it is necessary to clean up the oil, dust and other debris in the pipeline.
2. Filter core should be cleaned or replaced regularly.
3. Please notice whether installation condition accords with technical requirements.



Dimensions:

Unit:mm

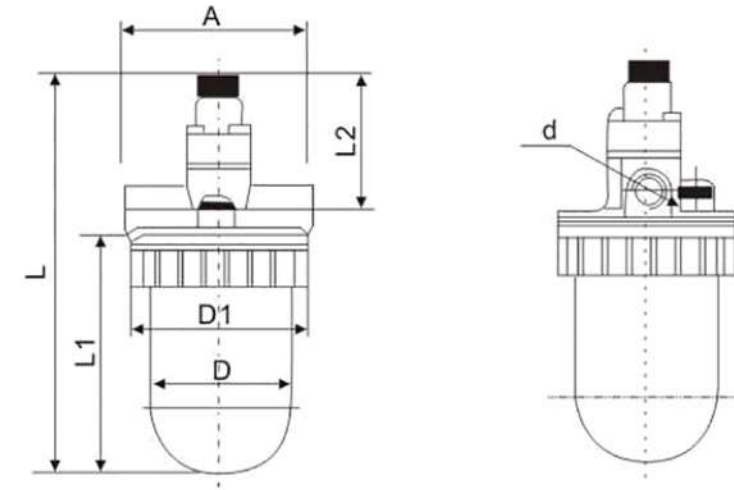
Model	Portsize	A	D	D1	d1	L0	L1	L
QSL-8	G1/4"	90	Φ70	Φ88	Φ55	14	114	160
QSL-10	G3/8"							
QSL-15	G1/2"							
QSL-20	G3/4"	115	Φ90	Φ110	Φ66	21	151	215
QSL-25	G1"							
QSL-40	G1-1/2"							



Offers QIU Series Lubricator. The structure is delicate and compact. The quantity of oil dripping can be directly observed through transparent inspection sheet. The pressure loss and the flow of mist start is low. It has high-strength plastic shields, which is more safe and reliable to use.

Attention:

1. Check whether the components have been damaged during transportation before installing and using.
2. Before installation and use, it is necessary to clean up the oil, dust and other debris in the pipeline.
3. When installing, the direction and the sequence should be correct.
4. The oil level in the oil cup should be between the upper and lower limits.



Dimensions:

Unit:mm

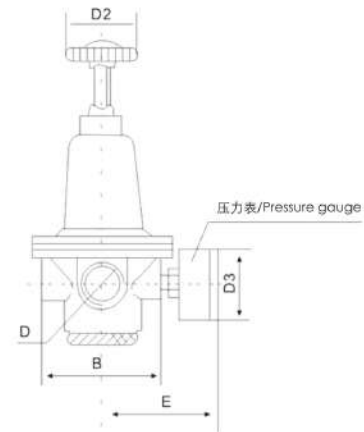
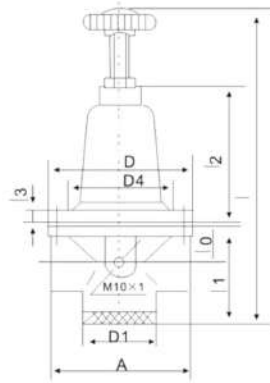
Model	Portsize	A	D	D1	L1	L2	L
QIU-8	G1/4"	90	Φ70	Φ88	114	69	220
QIU-10	G3/8"						
QIU-15	G1/2"						
QIU-20	G3/4"	115	Φ90	Φ110	151	74	250
QIU-25	G1"						
QIU-40	G1-1/2"						



Offers QTY Serie Regulator. The structure is delicate and compact, which is convenient for installation and application. The pressed-in and self-locking mechanism function can prevent the abnormal movement of the set pressure caused by external interfere. In addition to standard type, lower pressure type is optional.

Attention:

1. Check whether the components have been damaged during transportation before installing and using.
2. Pay attention to whether the flow direction of air and thread type are correct.
3. Please notice whether installation condition accords with technical requirements
4. Keep dust away.



Dimensions:

Unit:mm

Model	Portsize	A	B	D	D1	D2	D3	D4	L0	L1	L2	L3	E	Lmax
QTY-8	G1/4"	74	64	Φ80	Φ34	Φ60	Φ58	Φ60	16	52	69	8	80	173
QTY-10	G3/8"	74	64	Φ80	Φ34	Φ60	Φ58	Φ60	16	52	69	8	80	173
QTY-15	G1/2"	74	64	Φ80	Φ44	Φ60	Φ58	Φ60	21	58	69	8	80	181
QTY-20	G3/4"	109	113	Φ120	Φ60	Φ90	Φ58	Φ90	30	78	108	9	100	250
QTY-25	G1"	109	113	Φ120	Φ60	Φ90	Φ58	Φ90	30	78	108	9	100	250
QTY-40	G1-1/2"	109	104	Φ120	Φ60	Φ90	Φ58	Φ90	40	100	108	9	100	280