

VF3130



VF3230



VF5120

Ordering Code

VF3	1	30	AC110V
Series	Coil and Initial Status	Ordering Number	Standard Voltage
VF3 Series	1: Single coil	VF3: 30	DC12V DC24V
VF5 Series	2: Double coil	VF5: 20	AC24V 50Hz/60Hz
	3: Mid-position Closed		AC110V 50Hz/60Hz
	4: Mid-position Pressed		AC220V 50Hz/60Hz
	5: Mid-position Exhausted		AC380V 50Hz/60Hz

Specification

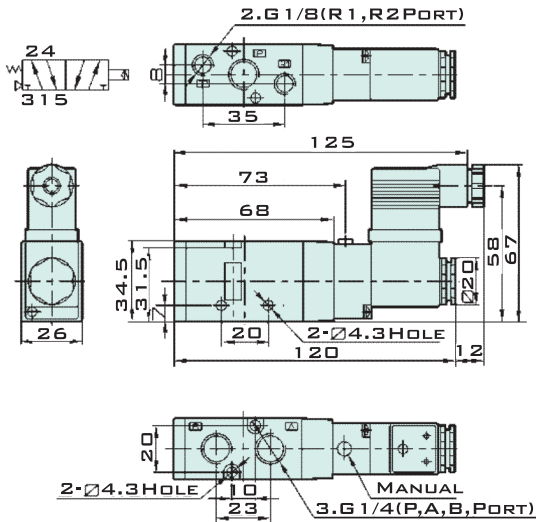
Model	VF3130	VF3230	VF33(4/5)30	VF5120	VF5220	VF53(4/5)50
Valve Type	5/2 way		5/3 way	5/2 way		5/3 way
Effective Cross Section Area	16 mm ² (CV = 0.89)		12mm ² (CV=0.67)	25 mm ² (CV = 1.40)		18 mm ² (CV=1.00)
Working Medium	40 Micron Filtered Air					
Operation	Internal Piloted					
Working-pressure	0.15 ~ 0.8 MPa					
Max. Test Pressure	1.2 MPa					
Ambient Temperature	-20 ~ 70°C					
Operating Voltage Tolerance	± 10%					
Power Consumption	AC: 5.5 VA DC: 4.8 W					
Protect Class	F Class, IP 65					
Wiring / Connector	Cable / Lead Wire or DIN Connector					
Switching Frequency	5 Cycles / Sec.					
Response Time	0.05 Sec.					

Base Ordering Code

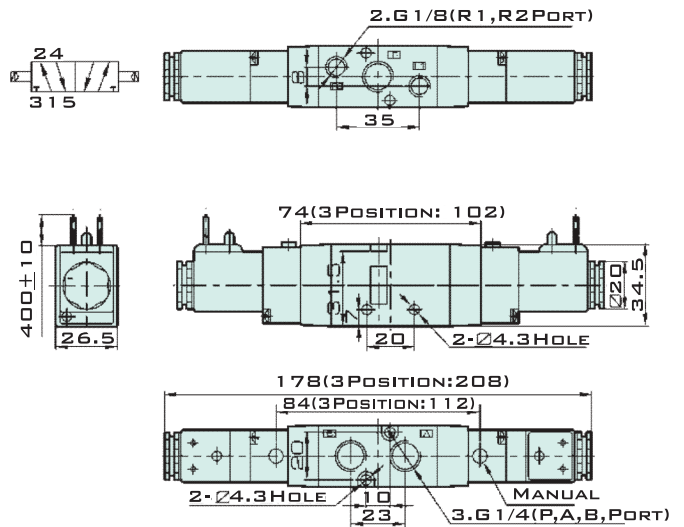
VF3000M	F
Series	Joint Base Number
VF3000M : VF3 Series	VF3000M : 1~20 F
VF5000M : VF5 Series	VF5000M : 1~20 F

Overall Dimension

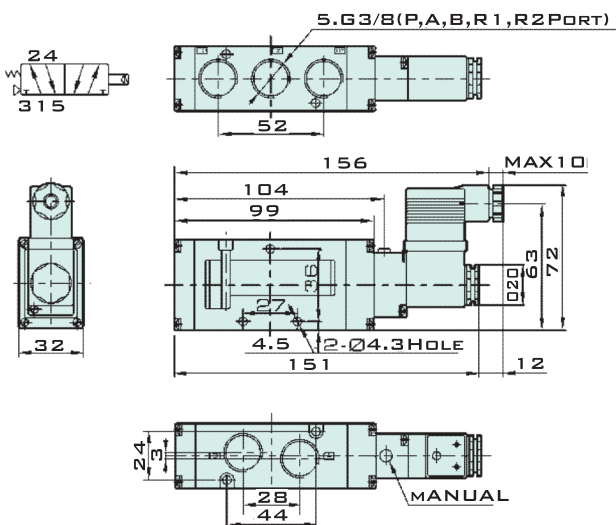
VF3130



VF3230



VF5120



VF5220

