

A LEADING NAME IN IMPORTED INDUSTRIAL PRODUCTS !!!



# Proportional AIR Regulator EPV Series

PREMIER QUALITY  
GLOBAL REPUTATION

## E/P REGULATOR



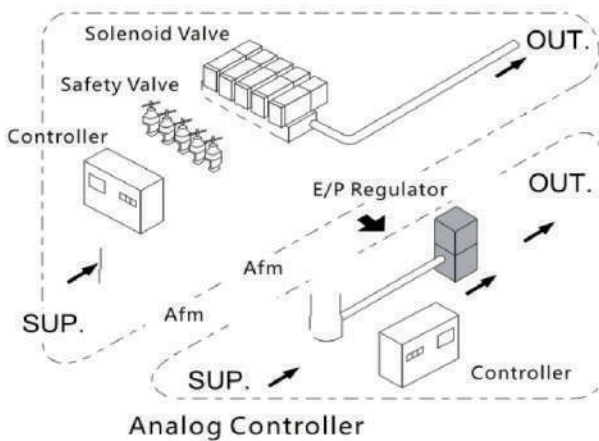
High performance  
LCD display

Excellent design,  
reasonable structure

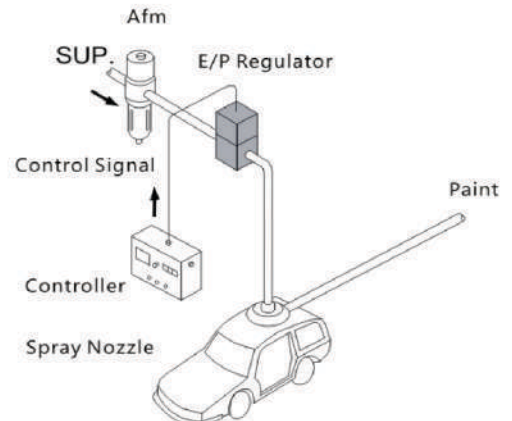
Ultra low power  
consumption and  
environmental protection

Multiple signal  
selection

### Analog Control Multistage Control



### Electrostatic Coating Control



# Proportional AIR Regulator EPV Series



## Ordering code

<b>EPV</b>	<b>2</b>	—	<b>5</b>	<b>0</b>	<b>3</b>	<b>1</b>		<b>2</b>	<b>S</b>	<b>3</b>
------------	----------	---	----------	----------	----------	----------	--	----------	----------	----------

<p>• Model</p> <table border="1" style="width: 100%; border-collapse: collapse;"> <tr><td style="width: 20px; text-align: center;"><b>1</b></td><td>1 Type</td></tr> <tr><td style="width: 20px; text-align: center;"><b>2</b></td><td>2 Type</td></tr> <tr><td style="width: 20px; text-align: center;"><b>3</b></td><td>3 Type</td></tr> </table>	<b>1</b>	1 Type	<b>2</b>	2 Type	<b>3</b>	3 Type	<p>• Range</p> <table border="1" style="width: 100%; border-collapse: collapse;"> <tr><td style="width: 20px; text-align: center;"><b>1</b></td><td>0.1MPa</td></tr> <tr><td style="width: 20px; text-align: center;"><b>3</b></td><td>0.5MPa</td></tr> <tr><td style="width: 20px; text-align: center;"><b>5</b></td><td>0.9MPa</td></tr> </table>	<b>1</b>	0.1MPa	<b>3</b>	0.5MPa	<b>5</b>	0.9MPa	<p>• Power supply</p> <table border="1" style="width: 100%; border-collapse: collapse;"> <tr><td style="width: 20px; text-align: center;"><b>0</b></td><td>DC24V</td></tr> </table>	<b>0</b>	DC24V	<p>• Bracket</p> <table border="1" style="width: 100%; border-collapse: collapse;"> <tr><td style="width: 20px; text-align: center;"> </td><td>No bracket</td></tr> <tr><td style="width: 20px; text-align: center;"><b>B</b></td><td>Flat bracket</td></tr> <tr><td style="width: 20px; text-align: center;"><b>C</b></td><td>L type bracket</td></tr> </table>		No bracket	<b>B</b>	Flat bracket	<b>C</b>	L type bracket	<p>• Cable connector</p> <table border="1" style="width: 100%; border-collapse: collapse;"> <tr><td style="width: 20px; text-align: center;"><b>S</b></td><td>Straight 3m</td></tr> <tr><td style="width: 20px; text-align: center;"><b>L</b></td><td>Right angle 3m</td></tr> <tr><td style="width: 20px; text-align: center;"><b>N</b></td><td>No cable</td></tr> </table>	<b>S</b>	Straight 3m	<b>L</b>	Right angle 3m	<b>N</b>	No cable	<p>• Connection thread and size</p> <table border="1" style="width: 100%; border-collapse: collapse;"> <tr><td style="width: 20px; text-align: center;"><b>Blank</b></td><td>Rc</td><td style="width: 20px; text-align: center;"><b>1</b></td><td>1/8(1 Type)</td></tr> <tr><td style="width: 20px; text-align: center;"><b>N</b></td><td>NPT</td><td style="width: 20px; text-align: center;"><b>2</b></td><td>1/4(1,2,3 Type)</td></tr> <tr><td style="width: 20px; text-align: center;"><b>T</b></td><td>NPTF</td><td style="width: 20px; text-align: center;"><b>3</b></td><td>3/8(2,3 Type)</td></tr> <tr><td style="width: 20px; text-align: center;"><b>F</b></td><td>G</td><td style="width: 20px; text-align: center;"><b>4</b></td><td>1/2(3 Type)</td></tr> </table>	<b>Blank</b>	Rc	<b>1</b>	1/8(1 Type)	<b>N</b>	NPT	<b>2</b>	1/4(1,2,3 Type)	<b>T</b>	NPTF	<b>3</b>	3/8(2,3 Type)	<b>F</b>	G	<b>4</b>	1/2(3 Type)
<b>1</b>	1 Type																																														
<b>2</b>	2 Type																																														
<b>3</b>	3 Type																																														
<b>1</b>	0.1MPa																																														
<b>3</b>	0.5MPa																																														
<b>5</b>	0.9MPa																																														
<b>0</b>	DC24V																																														
	No bracket																																														
<b>B</b>	Flat bracket																																														
<b>C</b>	L type bracket																																														
<b>S</b>	Straight 3m																																														
<b>L</b>	Right angle 3m																																														
<b>N</b>	No cable																																														
<b>Blank</b>	Rc	<b>1</b>	1/8(1 Type)																																												
<b>N</b>	NPT	<b>2</b>	1/4(1,2,3 Type)																																												
<b>T</b>	NPTF	<b>3</b>	3/8(2,3 Type)																																												
<b>F</b>	G	<b>4</b>	1/2(3 Type)																																												

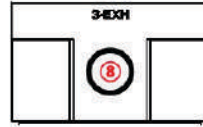
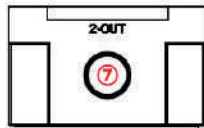
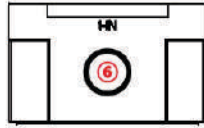
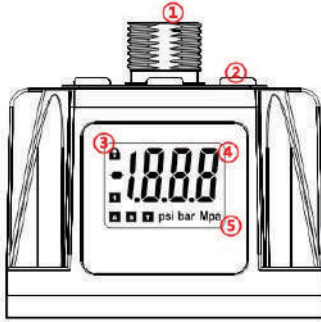
<p>• Input</p> <table border="1" style="width: 100%; border-collapse: collapse;"> <tr><td style="width: 20px; text-align: center;"><b>0</b></td><td>Current : DC4-20mA</td></tr> <tr><td style="width: 20px; text-align: center;"><b>1</b></td><td>Current : DC0-20mA</td></tr> <tr><td style="width: 20px; text-align: center;"><b>2</b></td><td>Voltage : DC0-5V</td></tr> <tr><td style="width: 20px; text-align: center;"><b>3</b></td><td>Voltage : DC0-10V</td></tr> </table>	<b>0</b>	Current : DC4-20mA	<b>1</b>	Current : DC0-20mA	<b>2</b>	Voltage : DC0-5V	<b>3</b>	Voltage : DC0-10V	<p>• Output</p> <table border="1" style="width: 100%; border-collapse: collapse;"> <tr><td style="width: 20px; text-align: center;"><b>1</b></td><td>Analog : DC1-5V</td></tr> <tr><td style="width: 20px; text-align: center;"><b>2</b></td><td>Switch : NPN Output</td></tr> <tr><td style="width: 20px; text-align: center;"><b>3</b></td><td>Switch : PNP Output</td></tr> <tr><td style="width: 20px; text-align: center;"><b>4</b></td><td>Analog : DC4-20mA</td></tr> </table>	<b>1</b>	Analog : DC1-5V	<b>2</b>	Switch : NPN Output	<b>3</b>	Switch : PNP Output	<b>4</b>	Analog : DC4-20mA
<b>0</b>	Current : DC4-20mA																
<b>1</b>	Current : DC0-20mA																
<b>2</b>	Voltage : DC0-5V																
<b>3</b>	Voltage : DC0-10V																
<b>1</b>	Analog : DC1-5V																
<b>2</b>	Switch : NPN Output																
<b>3</b>	Switch : PNP Output																
<b>4</b>	Analog : DC4-20mA																

Digital Communication	
RS485 Communication	

Note: customizable protocol

## Panel



NO.	Name
①	M12 aviation plug
②	Water-proof key
③	Locking key
④	Main display section
⑤	Unit display
⑥	Air supply port
⑦	Air out port
⑧	Air EXH port

## Specification

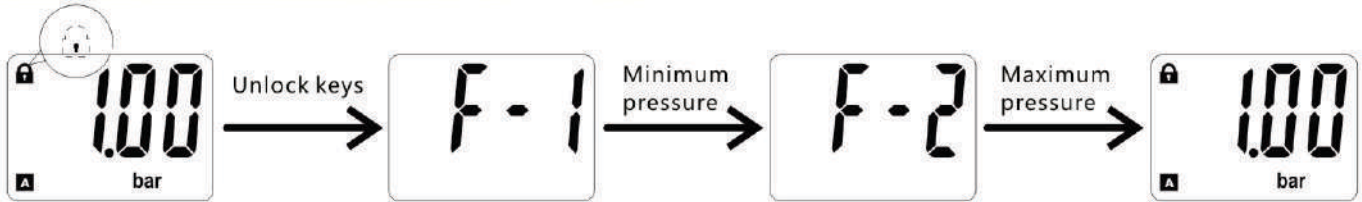
Model	EPV1-1		EPV1-3		EPV1-5	
	EPV2-1		EPV2-3		EPV2-5	
	EPV3-1		EPV3-3		EPV3-5	
Set pressure +0.1MPa						
Max. supply pressure	0.2MPa		1.0MPa			
Set pressure range	0.005~0.1MPa		0.005~0.5MPa		0.005~0.9MPa	
Power supply	Voltage	DC : 24V 10%				
	Current	DC : 24V 0.12A MAX				
Input signal	Current type	DC4~20mA, DC0~20mA				
	Voltage type	DC0~5V, DC0~10V				
	Preset type	4 point				
Input Impedance	Current type	Below 250Ω				
	Voltage type	Approx 6.5KΩ				
	Preset type	Preset input type 24VDC approx 4.7K Ω				
Output Signal	Analog output	DC 1~5V (load impedance: over 1 KΩ) DC 4~20mA (load impedance: below 250Ω) Output precision within range the range of 6%F.S.				
	Switch output	NPN-OC output type : 30mA PNP-OC output type : 30mA				
Linear	1%F.S					
Hysteresis	0.5%F.S					
Repeatability	0.5%F.S					
Temperature Characteristic	2%F.S					
Display	Precision	2%F.S				
	Division	1000 division				
Ambient temperature	0~50°C					
Protection class	IP65					

# Proportional AIR Regulator EPV Series

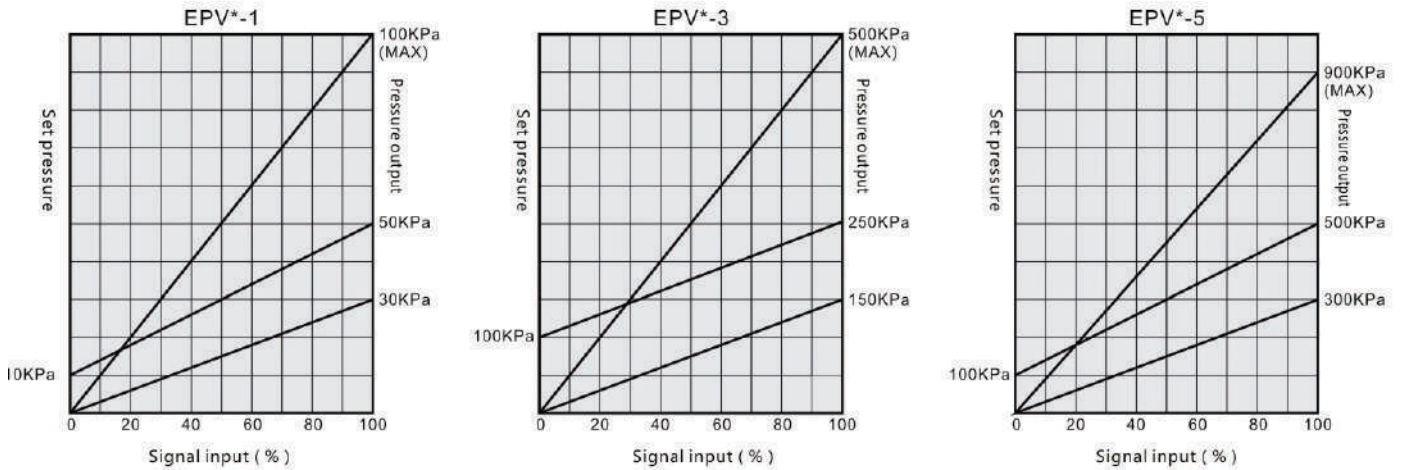
## Wiring method



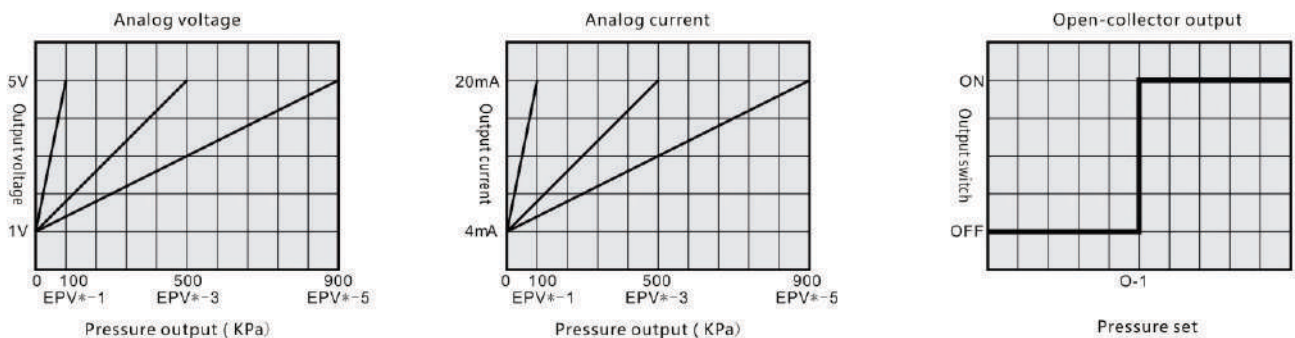
## Setting method



## Pressure output Signal input

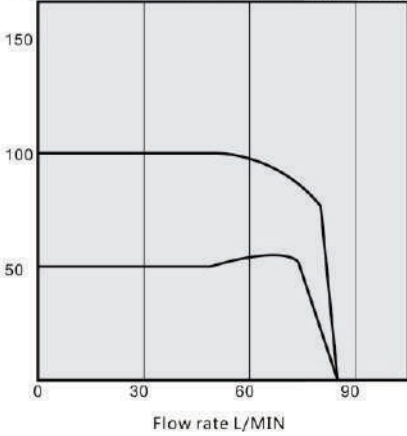


## Pressure output Signal output

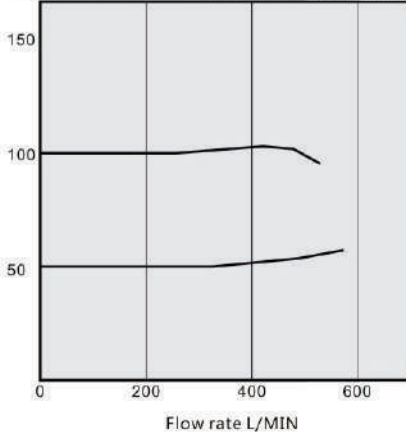


## Flow rate characteristics

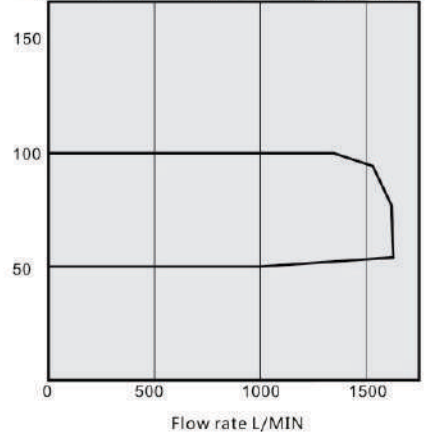
Set pressure ( KPa ) **EPV1-1** Supply pressure : 0.2MPa



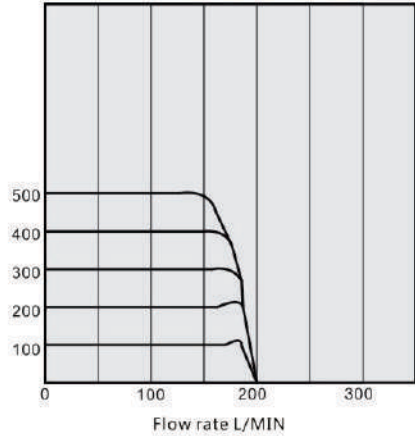
Set pressure ( KPa ) **EPV2-1** Supply pressure : 0.2MPa



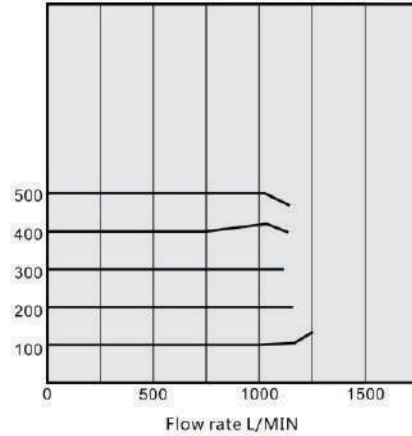
Set pressure ( KPa ) **EPV3-1** Supply pressure : 0.2MPa



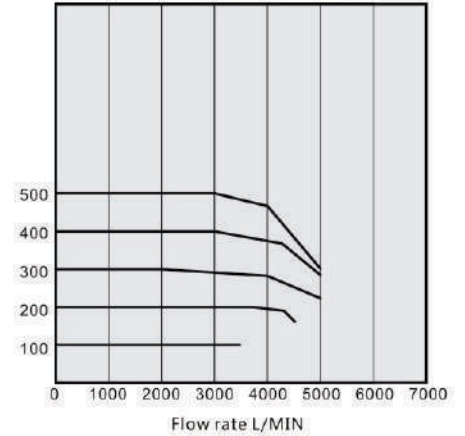
Set pressure ( KPa ) **EPV1-3** Supply pressure : 0.7MPa



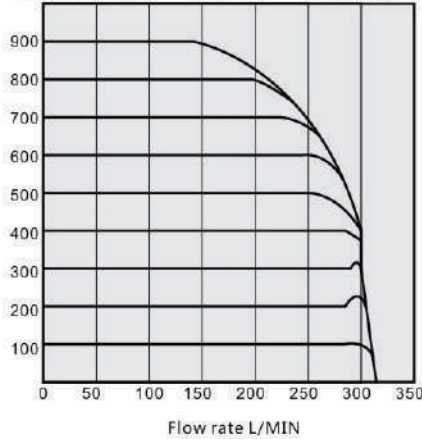
Set pressure ( KPa ) **EPV2-3** Supply pressure : 0.7MPa



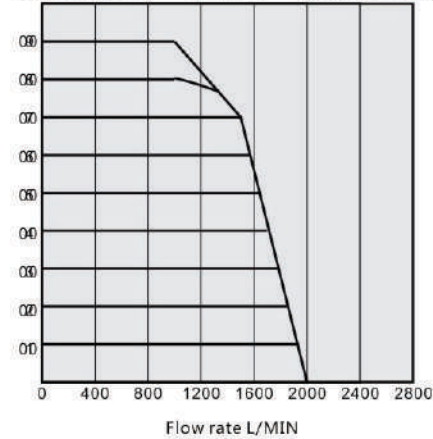
Set pressure ( KPa ) **EPV3-3** Supply pressure : 0.7MPa



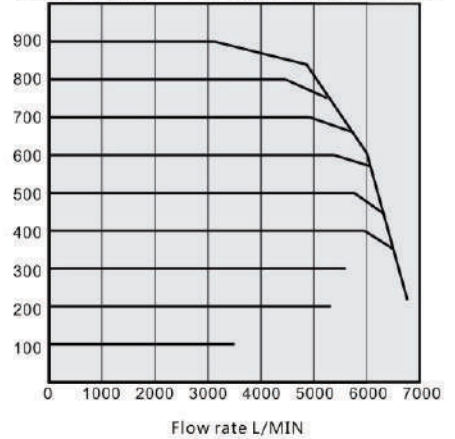
Set pressure ( KPa ) **EPV1-5** Supply pressure : 1MPa



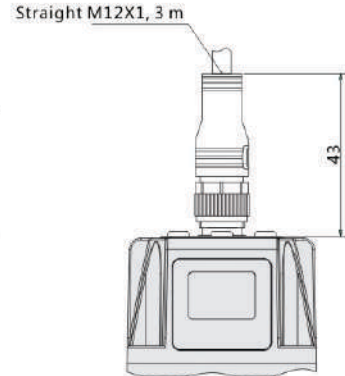
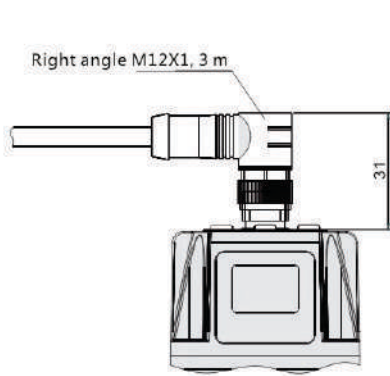
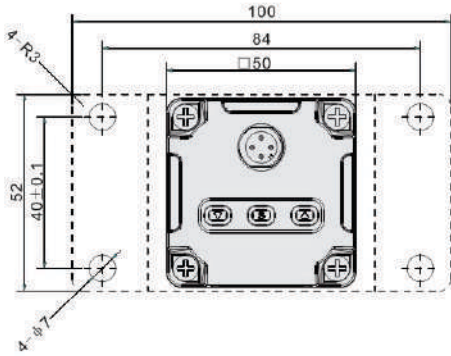
Set pressure ( KPa ) **EPV2-5** Supply pressure : 1MPa



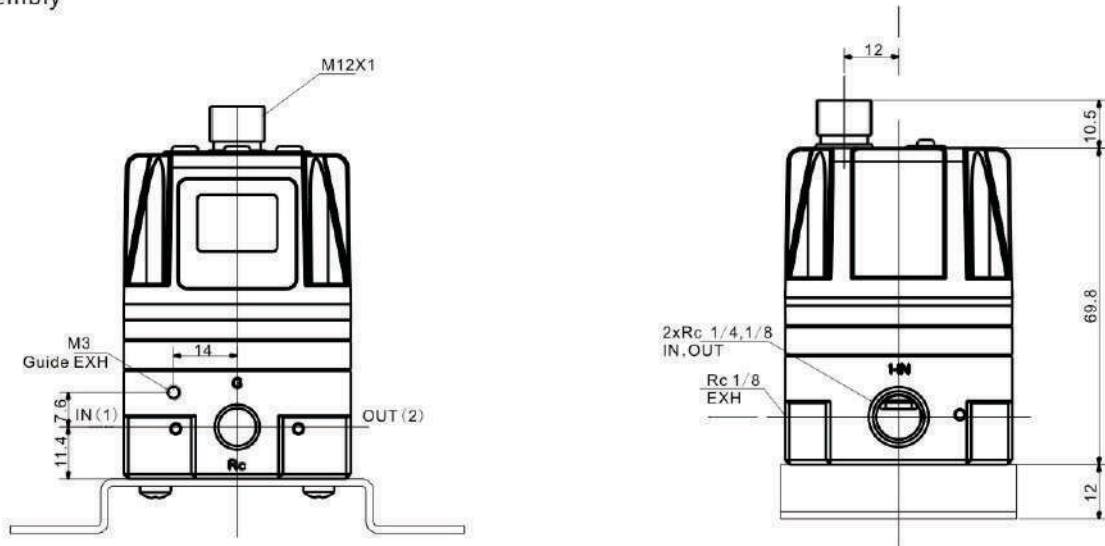
Set pressure ( KPa ) **EPV3-5** Supply pressure : 1MPa



## EPV1 series dimensions (mm)



### Flat bracket assembly

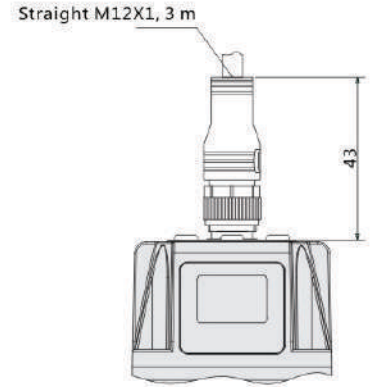
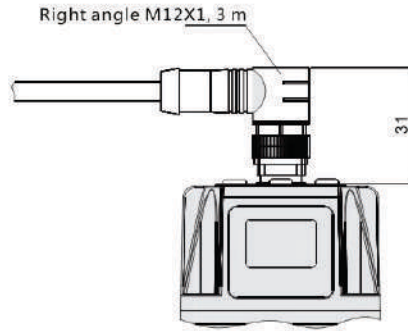
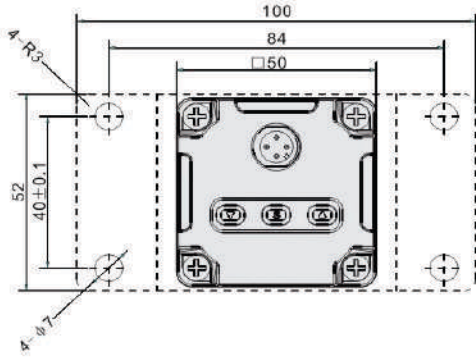


### L bracket assembly

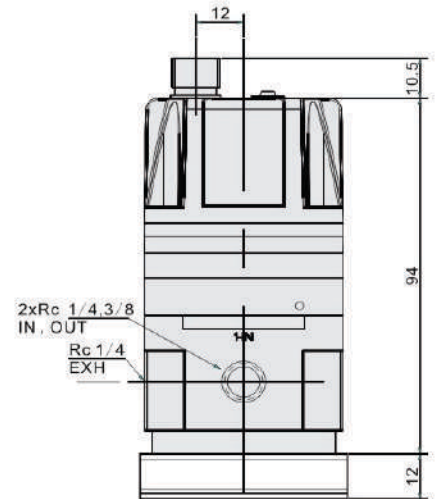
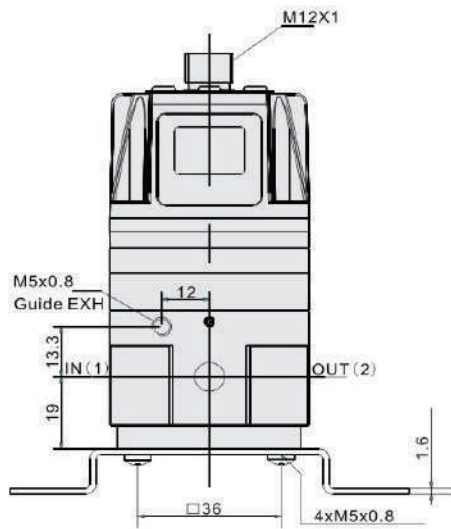


# Proportional AIR Regulator EPV Series

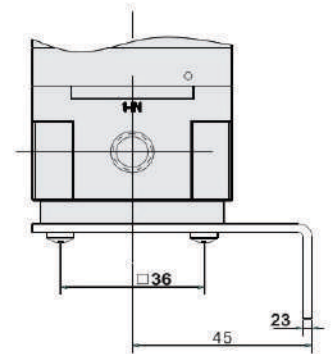
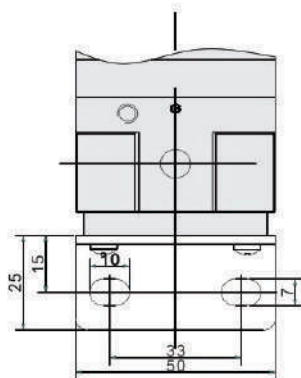
## EPV2 series dimensions (mm)



### Flat bracket assembly

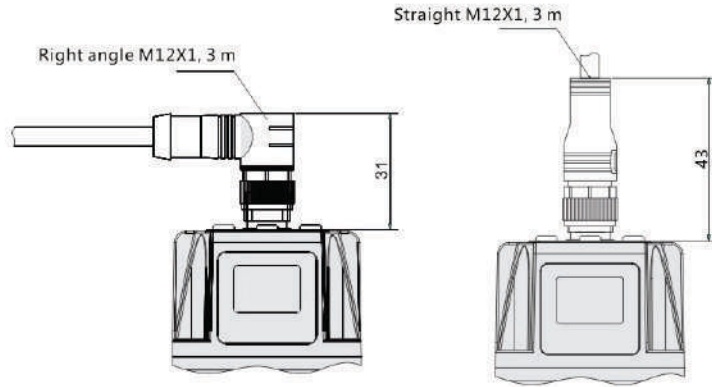
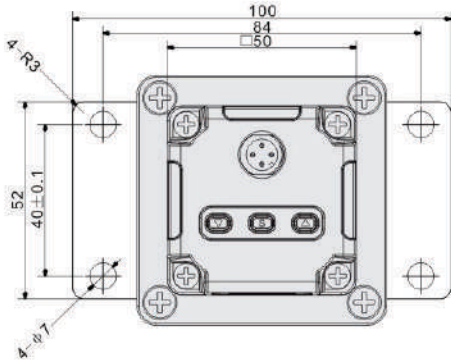


### L bracket assembly

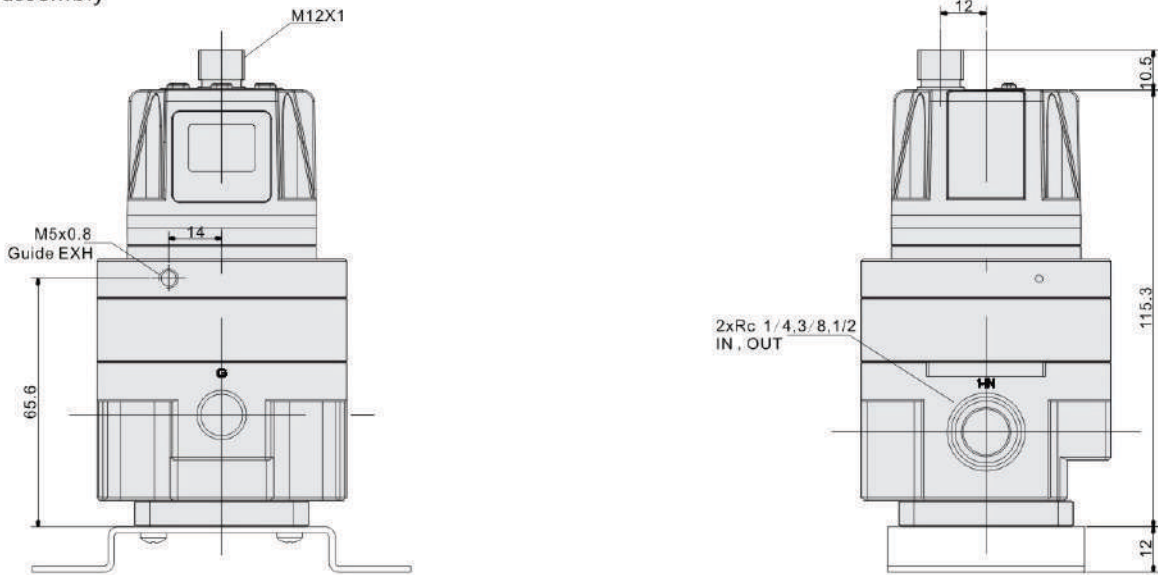


# Proportional AIR Regulator EPV Series

## EPV3 series dimensions (mm)



### Flat bracket assembly



### L bracket assembly

